



Brass/bronze internal valve assembly with 316 stainless steel float ball and float arm shown separately

3" 313

APPLICATION:

Deaerators, tanks with steam blankets, produce additional liquid as the steam condenses. The 313 Overflow Trap traps and relieves this condensate through its internal pilot without the steam blanket escaping. Buoyancy of its float ball provides force to actuate internal pilot operated single seat valve assembly to relieve condensate and overflow to drain. The overflow trap should be installed in an upright position.

FEATURES:

Steel chamber, brass/bronze internal valve, 316 stainless steel float ball.
 Sizes 1" through 2" with NPT connections, 3" through 6" with 150FLG
 Large end cover provides easy access to internal valve assembly.

RATINGS:

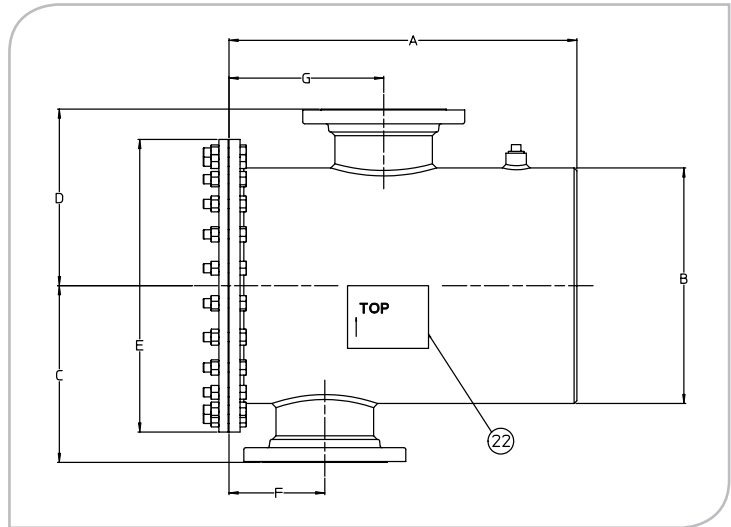
System operating pressures to 50 PSIG,
 Pressure drops to 15 PSI
 Temperatures to 250F,
 Nominal leakage rate 0.1% of rated capacity

CONDENSATE CAPACITIES:

PRESSURE DROP	POUNDS / HOUR FLASHING CONDENSATE					
	Valve Size (IN)					
(PSI)	1	1-1/2	2	3	4	6
1	4,500	10,800	20,400	35,500	62,000	132,000
2	6,400	15,400	28,700	50,000	88,000	187,000
4	9,000	21,600	40,400	70,500	123,500	262,000
5	10,000	24,000	45,000	78,500	138,000	293,000
7	11,870	28,500	53,300	93,000	163,000	346,000
10	14,200	34,100	63,700	111,200	196,000	415,000
12	15,600	37,400	69,900	122,000	214,500	455,000
15	17,400	41,800	78,200	136,500	239,000	500,800

ORDERING INFORMATION:

313	PART NUMBER		
	Description	Size	End Connection
STEEL BODY WITH BRONZE TRIM AND 316 ST. STL. FLOAT BALL	1	NPT	031306XXX001
	1-1/2	NPT	031308XXX001
	2	NPT	031309XXX001
	3	150FLG	031311XXX001
	4	150FLG	031313XXX001
	6	150FLG	031315XXX001



DIMENSIONS AND WEIGHTS :

313	VALVE SIZE IN (MM)									
	Dimension IN (mm)	1 (25)	1-1/2 (40)	2 (50)	3 (80)	4 (100)	6 (150)			
A	14-3/8 (366)	17-5/8 (448)	17-5/8 (448)	7-5/8 (448)	20-11/16 (526)	23-5/8 (600)				
B	8-5/8 (219)	10-3/4 (273)	10-3/4 (273)	10-3/4 (273)	12-3/4 (324)	16 (407)				
C	5-5/16 (135)	6-7/8 (175)	6-7/8 (175)	9 (229)	11 (280)	12 (305)				
D	5-1/2 (140)	6-3/4 (172)	6-3/4 (172)	9 (229)	11 (280)	12 (305)				
E	11-3/8 (289)	13-1/2 (343)	13-1/2 (343)	13-1/2 (343)	15-5/8 (397)	19-7/8 (505)				
F	3-13/16 (97)	4-1/8 (105)	4-1/8 (105)	4-1/8 (105)	5-1/2 (140)	6-1/2 (165)				
G	7 (178)	8-1/8 (207)	8-1/8 (207)	8-1/8 (207)	10-1/4 (261)	10-1/2 (267)				
End Connection	THD	THD	THD	150 FLG	150 FLG	150 FLG				
Weight (LB)	53	95	95	111	173	285				