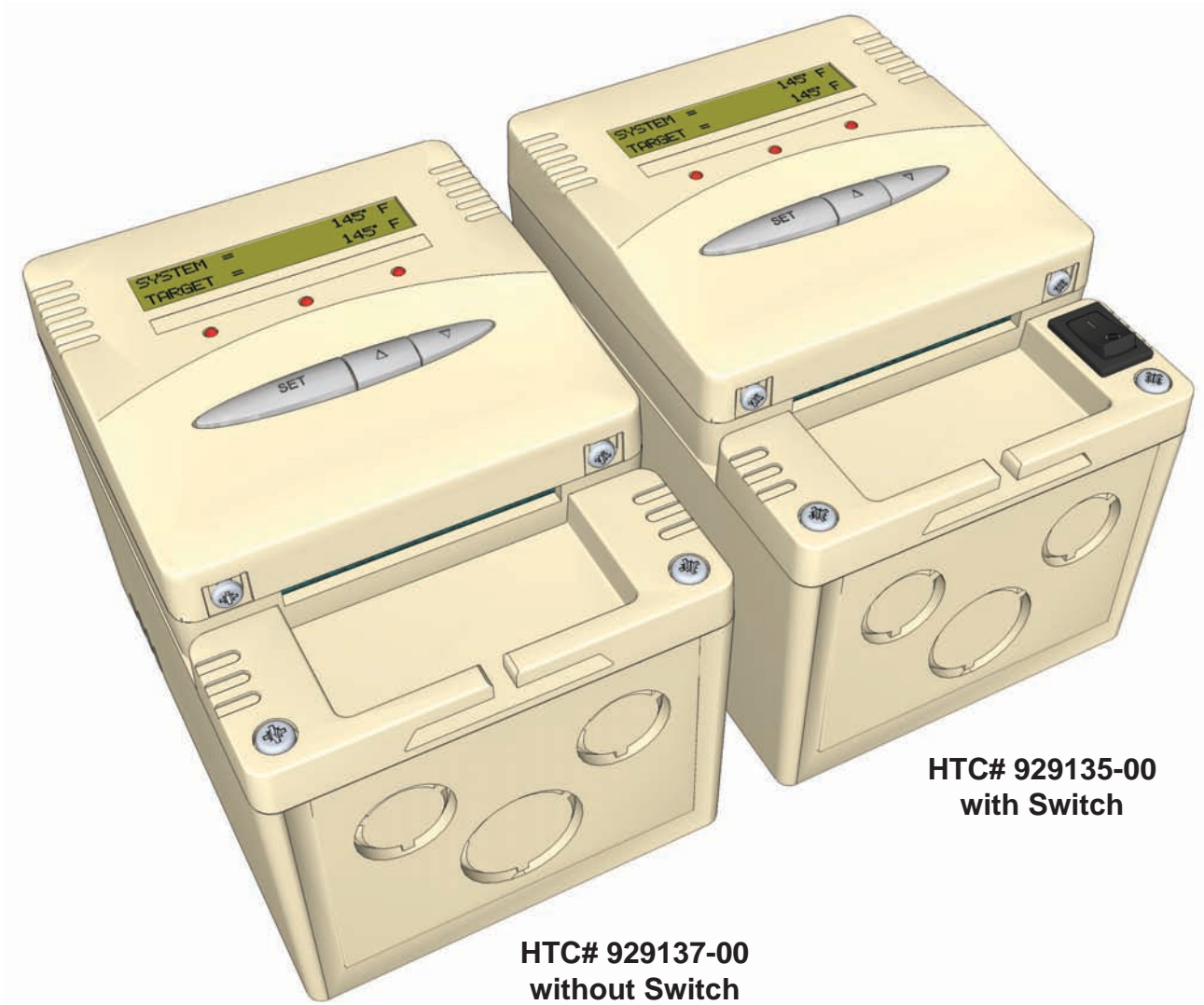


Installation and Operation Manual

**DiGi-SPAN<sup>®</sup>**  
*Elite Series*

# *WIRING ENCLOSURE*



HTC# 929135-00  
with Switch

HTC# 929137-00  
without Switch

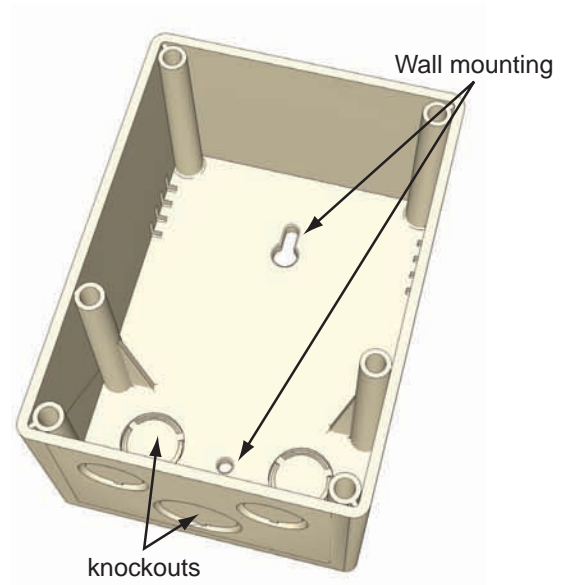
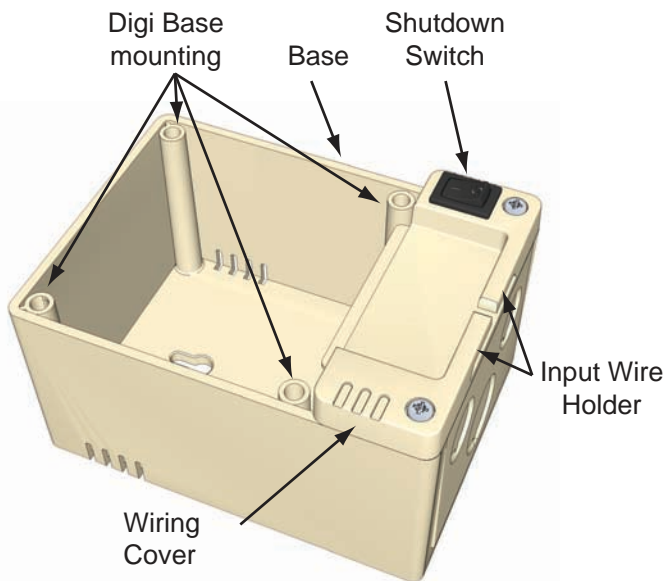
## Overview

The Wiring Enclosure makes it easy to install a Digi-Elite on a wall or any flat surface. It replaces a 1900 box function. It comes in two types, with a Switch (HTC# 929135-00) and without a Switch (HTC# 929135-00). The model with a switch offers the capability of turning off the Digi-Elite.

## Components

The Wiring Enclosure consists of two components, a Base and a Wiring Cover.

- The Base mounts to the wall and holds the Digi-Elite and the Wiring Cover. It offers enough room for the output and input wiring.
- The Wiring Cover hides all rear wiring. One type has a switch that can be used to shutdown the Digi-Elite (example: during off-season, shutdown, and maintenance periods), to turn on the boiler and bypass the Digi-Elite operation, or to turn the power to the Digi-Elite off.



## Mounting

- Two screws (not provided) can be used to fasten the Base to a wall or any suitable flat surface. The surface must be strong enough to hold all the components including the Digi-Elite.
- The Digi-Elite Base section can be mounted to the Wiring Enclosure Base using the four screws provided.

# Wiring the Switch

All the Digi-Elite input wiring must pass through the Input Wire Holder in the Wiring Cover.

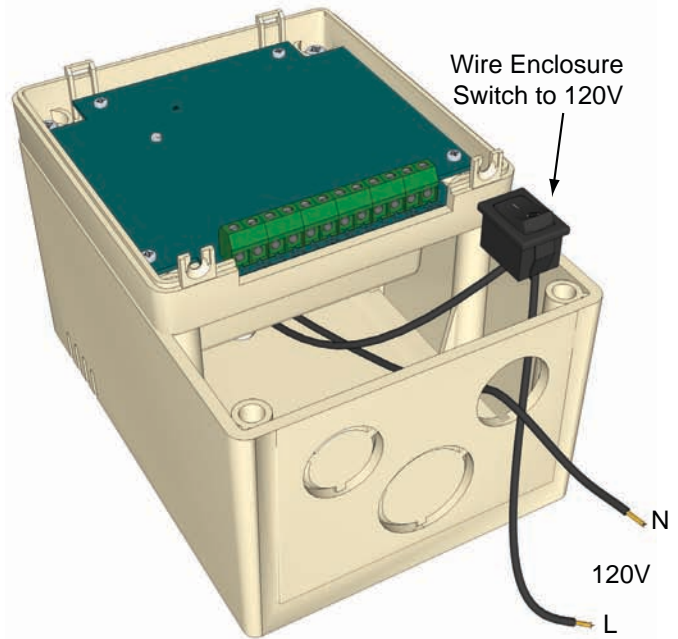
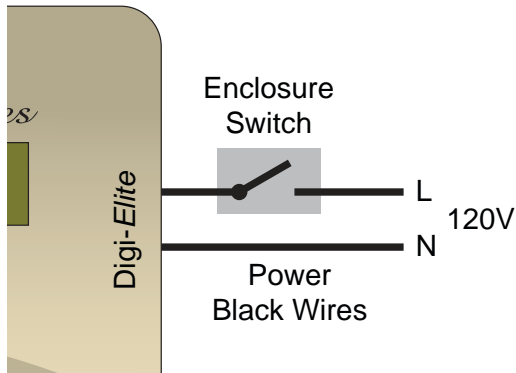
## ⚠ WARNING

- DO NOT create additional holes in the enclosure as this may void the Digi-Elite and Wiring Enclosure warranties.
- All wiring inside the Wiring Enclosure must be rated for 120VAC.

The Wiring Cover may be equipped with a switch that can be used in many ways. The following is a list of options to wire the switch. The switch is rated 2 Amp at 120VAC.

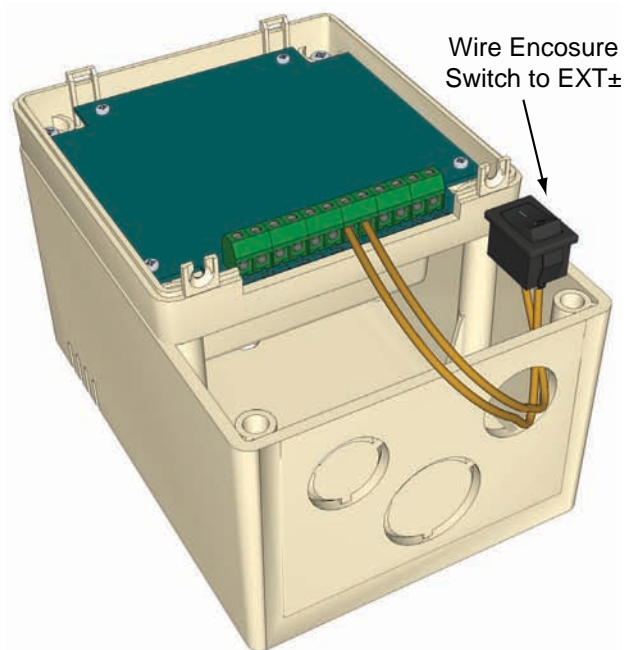
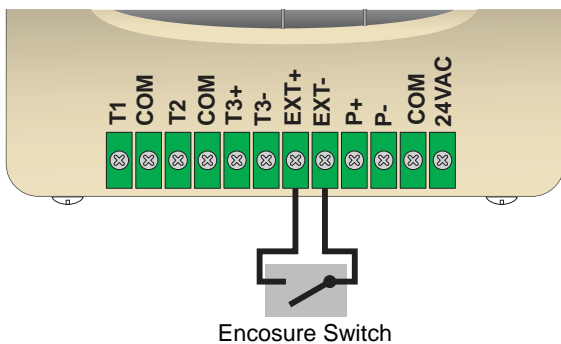
## Power Switch

This option allows the user to turn the power to the Digi-Elite on or off. In this scenario, the switch must be wired to break the 120VAC Line wire.



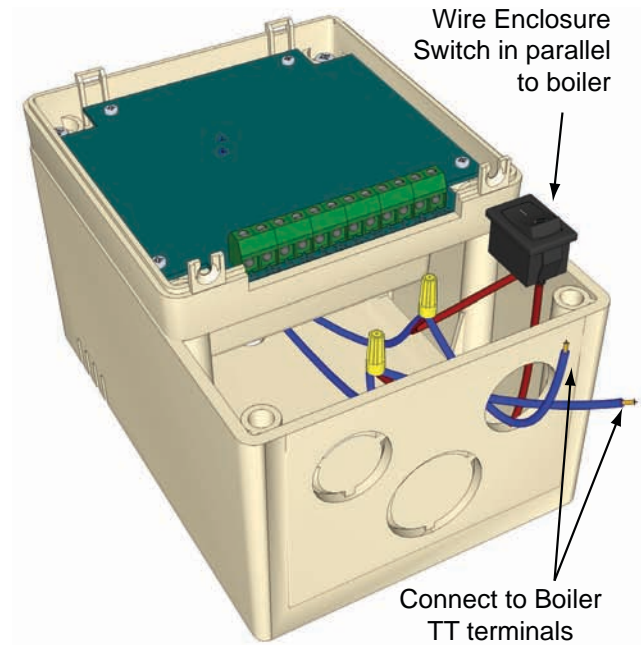
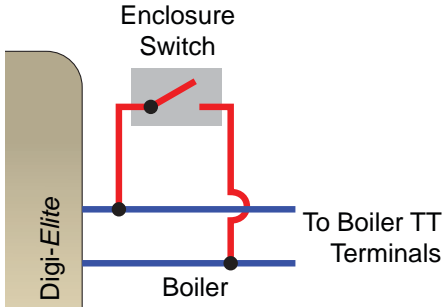
## Summer/Winter Switch

This option allows the user to switch the Digi-Elite functionality on or off using the EXT+ and EXT- input terminals. This is useful when used during the off-season.



## Boiler Bypass Switch

This option allows the user to switch the boiler On regardless of the Digi-Elite boiler relay status. It is useful when servicing the boiler or in emergency situations.



## Specifications

Switch Rating (Available on some models only)	SPST maximum 2 Amp at 120 VAC/60 Hz
Dimension	4" x 5-1/2" x 3-1/2"
Weight	0.5 Pound

HT# 059068-00-A