

HEAT-TIMER®

Installation and Operation Manual

EPU-D

Light Commercial Steam Cycling Control



⚠ WARNING

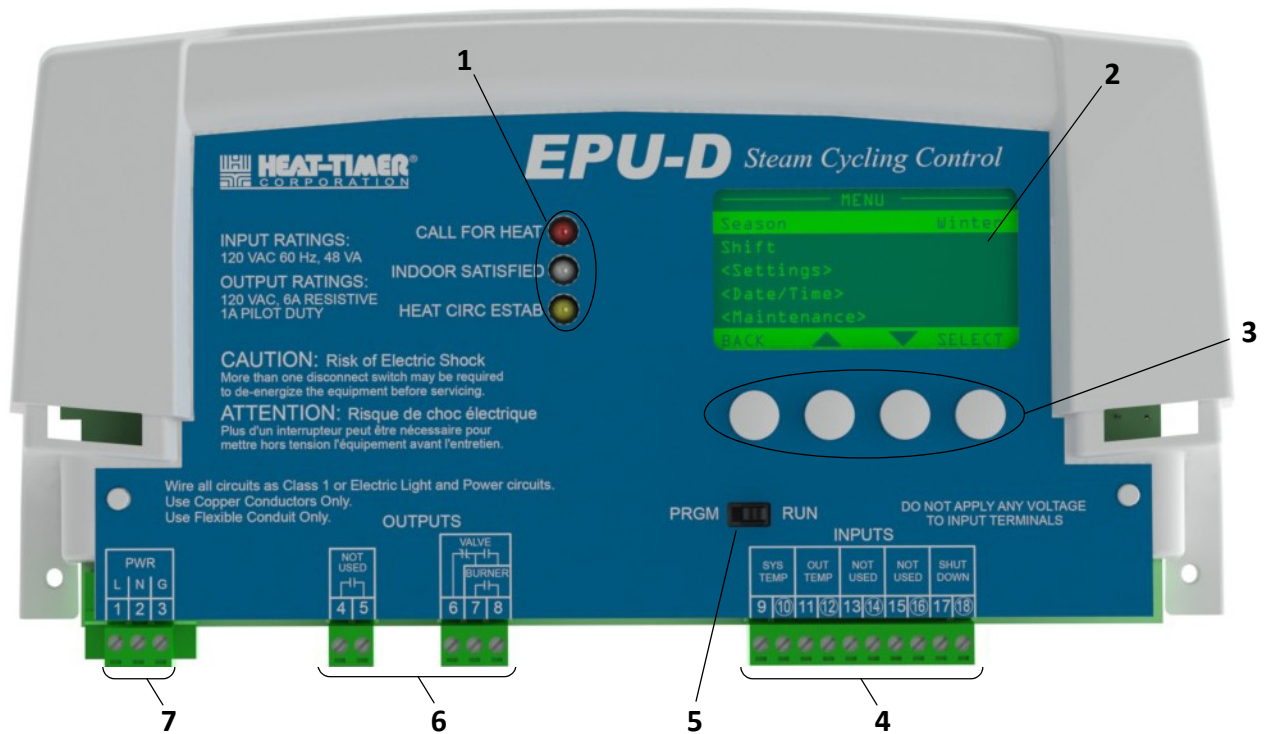
This Heat-Timer control is strictly an operating control; it should never be used as a primary limit or safety control. All equipment must have its own certified limit and safety controls required by local codes. The installer must verify proper operation and correct any safety problems prior to the installation of this Heat-Timer control.

Table of Contents

Controls, Indicators, and Connections	3	EPU-D Menus	26
Detailed Operation	4	Main Menu	26
Overview	4	System Settings Menu	29
The “Cycle” Concept	4	Schedules Menu	33
Cycle Length Based on Outdoor Temperature	4	Maintenance Menu	35
Cycle Length	5	Piping Diagrams	38
Available Heat Levels	7	Troubleshooting	41
Sequence of Operation	7		
Typical Configurations	8		
EPU-D Inputs	8		
Heating System Sensor	8		
Pressuretrol Sensor	8		
Outdoor Temperature Sensor	8		
Remote Shutdown / TSTAT Enable	9		
EPU-D Outputs	9		
Valve Actuator	9		
Boiler Burner	9		
Specifications	10		
EPU-D Control Module	10		
Installation Instructions	11		
Supplied Materials	11		
Required Materials (Not Supplied)	11		
Design Considerations	11		
Outdoor Temperature Sensor Installation	12		
Heating System Sensor Installation	13		
Mounting the EPU-D Module	14		
Mounting the Enclosure	14		
Mounting the Display Module	15		
Wiring the EPU-D	16		
Power Input Wiring	16		
Output Wiring	16		
Input Wiring	18		
Powering-On the EPU-D	19		
Completing the Installation	19		
Initial Programming of the EPU-D	20		
System Startup Menu	20		
EPU-D Display and Programming	23		
EPU-D Control Module Status LEDs	23		
Display and Variable-Function Buttons	23		
Default Display	24		
Display Icons and Messages	24		
Setting the Display Contrast	25		
Resetting to Factory Default	25		

Controls, Indicators, and Connections

Figure 1: EPU-D Controls, Indicators, and Connections



Item	Description	Item	Description
1	Status LEDs See “EPU-D Control Module Status LEDs” on page 23.	5	Prgm/Run Switch Places the EPU-D in programming mode or run (normal operation) mode. NOTE: Programming mode may be password protected.
2	Digital Display See “Display and Variable-Function Buttons” on page 23.	6	Output Connections <ul style="list-style-type: none"> • Terminals 4 & 5 – not used • Terminals 6, 7, & 8 – Output to Boiler Burner or a Motorized Valve
3	Variable-Function Buttons See “Display and Variable-Function Buttons” on page 23.	7	120Vac Power Input Connection <ul style="list-style-type: none"> • Terminal 1 – Input Line Voltage • Terminal 2 – Neutral • Terminal 3 – Ground
4	Input Connections <ul style="list-style-type: none"> • Terminals 9 & 10 – Heating System Sensor • Terminals 11 & 12 – Outdoor Temperature Sensor • Terminals 13, 14, 15, & 16 – not used • Terminals 17 & 18 – Remote Shutdown 		

Detailed Operation

Overview

The EPU-D is a microprocessor-based control designed to manage a low-pressure steam heating system. The control can operate a steam boiler or a two-way steam valve using a “cycle” concept to provide the desired amount of heat to the building.

The “Cycle” Concept

The “cycle” concept was created by Heat-Timer specifically to allow steam heating systems to overcome the inabilities of standard thermostatic controls to cope with the unique challenges of low-pressure steam heating. Unlike water and air systems, steam systems take time to build up a “head of steam”. Moreover, after the system starts heating up, it has momentum that takes time to dissipate. This makes it difficult to control its temperature.

Cycle Length Based on Outdoor Temperature

By monitoring the outdoor temperature, the EPU-D is able to anticipate the building heating needs. Each cycle period (usually 60 minutes long, but adjustable depending on the type of radiation units) consists of a Cycle-ON segment and a Cycle-OFF segment. The length of the Cycle-ON segment will vary with the outdoor temperature. The colder it is outdoor, the longer the Cycle-ON segment.

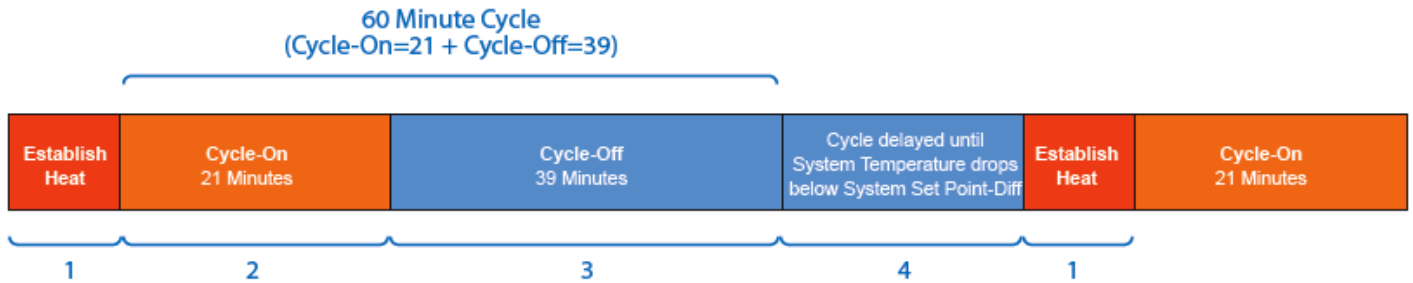


Figure 2: Example 60 Minute Cycle

The EPU-D constantly checks the outdoor temperature by means of a solid-state sensor located on the exterior of the building. At the same time, it monitors the heating system of the building by means of either a heating system sensor or reverse-acting pressuretrol. These sensors tell the control when steam has reached the furthest location in the building (or the hardest to heat area, see “Piping Diagrams” on page 38). Based on this combined data, the EPU-D sends instructions to the heating plant to control the heat level in the building.

The EPU-D also provides two adjustable outdoor temperature cutoff settings, one for daytime operation and one for nighttime operation. When the outdoor temperature rises above one of the cutoff settings, the EPU-D will not call for any heat.

When the outdoor temperature drops below the cutoff, the EPU-D will automatically begin controlling the heating cycle. After the heating system is active, the heating system sensor will register when heat has reached throughout the building. The combined effect of these two sensors is to provide an even, comfortable level of heat throughout the building.

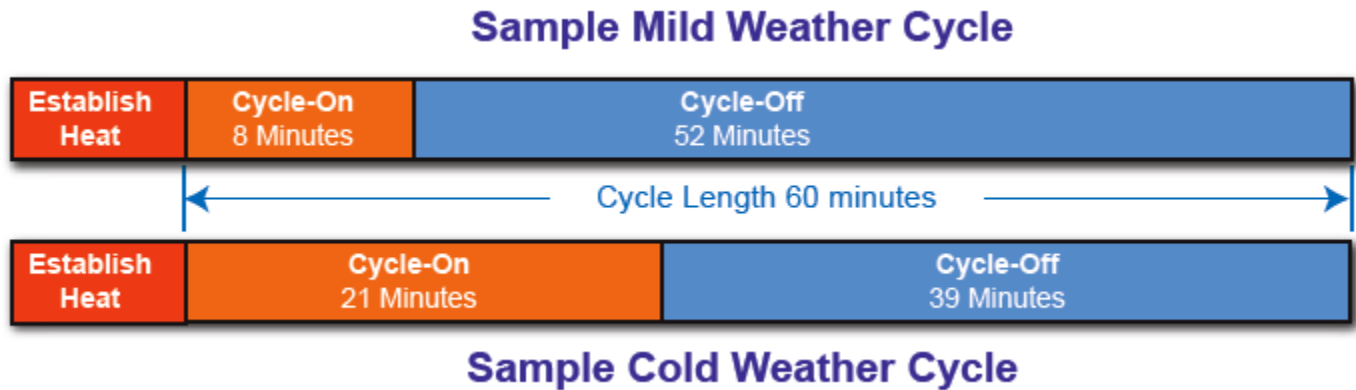


Figure 3: Example Cycles Based on Weather Conditions

Cycle Length

The duration of the Cycle-ON period (when the heat source is activated) depends on four factors:

- Outdoor temperature
- Outdoor Cutoff temperature
- Heat Adjustment setting
- Cycle length

When the outdoor temperature is above the Outdoor Cutoff, the EPU-D will not call for heat. When the outdoor temperature is below the Outdoor Cutoff, the length of the Cycle-ON segment is adjusted by the day and night Heat Adjustment settings. “A” is the shortest heat duration, “P” is the longest duration.

Table 1: Cycle Length Table

Outdoor Cutoff Minus Outdoor Temperature (All Temperatures in °F)																				
*	95	90	85	80	75	70	65	60	55	50	45	40	35	30	25	20	15	10	5	1
A	45	41	37	33	29	25	22	18	15	13	10	8	5	3	2	0	0	0	0	0
B	57	51	46	41	37	33	28	25	21	18	15	12	9	7	5	3	1	0	0	0
C	C	59	54	48	43	38	33	29	25	21	18	15	12	9	7	5	3	1	0	0
D	C	C	C	55	49	43	38	34	29	25	21	17	14	11	9	6	4	2	1	0
E	C	C	C	C	55	49	43	38	33	28	24	20	17	13	10	8	6	4	2	1
F	C	C	C	C	C	55	49	43	37	32	27	23	19	15	12	9	7	5	3	2
G	C	C	C	C	C	C	54	48	42	36	31	26	22	18	14	11	8	6	4	3
H	C	C	C	C	C	C	C	53	47	40	35	29	25	20	16	13	10	7	5	4
I	C	C	C	C	C	C	C	59	52	45	39	33	27	23	18	15	11	9	6	5
J	C	C	C	C	C	C	C	C	58	50	43	37	31	25	21	16	13	10	7	6
K	C	C	C	C	C	C	C	C	C	56	48	41	34	28	23	19	15	11	8	7
L	C	C	C	C	C	C	C	C	C	C	53	45	38	32	26	21	16	13	9	7
M	C	C	C	C	C	C	C	C	C	C	59	51	43	35	29	23	18	14	11	8
N	C	C	C	C	C	C	C	C	C	C	C	56	47	39	32	26	20	16	12	9
O	C	C	C	C	C	C	C	C	C	C	C	53	44	36	29	23	17	13	10	10
P	C	C	C	C	C	C	C	C	C	C	C	59	49	40	32	25	19	15	12	12
Minutes ON (Based on 60 Minute Cycle Length) C = Continuous Operation																				

* Heat Adjustment Setting – See “Day Adjustment” on page 30 and “Night Adjustment” on page 30.

Example

To determine the cycle length, use the example values below:

- Outdoor temperature = 30°F
- Outdoor Cutoff = 55°F
- Heat Adjustment = G

1. Subtract the outdoor temperature from the Outdoor Cutoff (55–30 = 25°F)
2. Refer to Table 1 where the Heat Adjustment row “G” intersects with the 25°F column. The Cycle-ON time is 14 minutes (for a 60 minute cycle).

NOTE: For different cycle lengths, refer to the table below:

Cycle Length	Divide by	Cycle-ON
20	3	5
30	2	7
90	2/3	21

Available Heat Levels

The EPU-D is able to maintain two different heat levels:

- Day heat level provides comfortable temperatures when the building tenants are active during the day. This requires a higher level of heat.
- Night heat level provides lower heat and conserves energy when the building is empty or when tenants are asleep. Both heat levels rely on the identical cycle concept, but the lower Night settings provide less heat given the same outdoor temperature.

Sequence of Operation

This section describes the typical sequence of operation for the EPU-D.

1. The EPU-D activates the steam source when the outdoor temperature falls below the outdoor sensor cutoff. The cutoff is factory set at 55°F (13°C) for Day or Night, but is fully adjustable.
2. The EPU-D continues to call for heat, keeping the steam source active, until the heating system sensor reaches its adjustable Set Point. This indicates that steam has gotten entirely through the system, or that "heat is established".
3. After "heat is established", the Cycle-ON segment of the cycle begins.
4. During the Cycle-ON segment, the EPU-D keeps the steam source activated. The length of the Cycle-ON segment is dependent on the outdoor temperature, the Day/Night setting, and several user-selectable adjustments that can be tuned to the specific heat loss characteristics of the building.
5. After the Cycle-ON segment has ended, the Cycle-OFF segment of the cycle begins. The EPU-D turns off the boiler or closes the steam valve for the remainder of this segment.
6. After the Cycle-OFF segment has ended, the EPU-D once again activates the steam source unless either the outdoor temperature has risen above the cutoff or the thermal lockout is active.

With the thermal lockout, the heating system sensor temperature must fall below the Set Point minus a 25°F differential before the heating source can be reactivated. This allows residual heat in the pipes to continue to heat the building. After the pipes have cooled sufficiently, a new cycle can begin.

Typical Configurations

The EPU-D works with virtually any non-vacuum one or two-pipe steam-heated system. The EPU-D can control the boiler directly to create steam or, for systems where a central plant provides steam, the EPU-D controls a motorized valve to allow or prevent steam from entering the heating system.

Based upon the specific layout of the steam heating system, there are several differences in locating the heating system sensor and in the output wiring to the boiler or motorized valve that must be considered. It is important to carefully check the piping diagram to determine which of the following layouts matches your heating system:

- One Pipe Steam - Direct Burner Operation (see Figure 7 on page 38)
- Two-Pipe Steam - Direct Burner Operation (see Figure 8 on page 39)
- Two-Pipe Steam - Motorized Valve Operation (see Figure 9 on page 40)

EPU-D Inputs

Heating System Sensor

The EPU-D is designed to connect to the provided Heat-Timer heating system sensor (p/n 904220-00).

The heating system sensor is located where it will show that heat has reached the furthest location in the building. The EPU-D uses the temperature information from the heating system sensor combined with the outdoor temperature sensor to control the heat level in the building.

Pressuretrol Sensor

The EPU-D can optionally connect to a pressuretrol sensor instead of the system temperature sensor.

The pressuretrol sensor must be a reverse-acting pressuretrol that indicates when to start the heating cycle based on a specified pressure setting.

Outdoor Temperature Sensor

The EPU-D is designed to connect to the provided Heat-Timer temperature sensor (p/n 904220-00).

The outdoor temperature sensor is a solid-state sensor located on the exterior of the building. The EPU-D uses the temperature information from the outdoor temperature sensor combined with the system temperature sensor to control the heat level in the building.

Remote Shutdown / TSTAT Enable

The remote shutdown / TSTAT enable feature sets the signal (open or short) on the EPU-D Shutdown terminals (17 and 18) that allows the control to operate.

- For Shutdown, an “open” signal allows the control to operate and provide heat. When shorted, the control is disabled.
- For TSTAT Enable, a “short” signal allows the control to operate and provide heat. When open, the control is disabled.

When the control is disabled, the Burner and Motorized Valve output relays are de-energized, turning off the boiler or closing the motorized valve.

This feature can be used when it is desirable to deactivate the EPU-D from a remote location or with another controller, such as a Building Management System (BMS).



CAUTION

The Shutdown signal must be dry-contact only. DO NOT place voltage across the Shutdown terminals.

EPU-D Outputs

Valve Actuator

The EPU-D is designed to connect to a motorized valve actuator. Using the inputs from the outdoor temperature sensor and the system temperature sensor, the EPU-D controls the heating system by opening and closing the motorized valve actuator.

Boiler Burner

The EPU-D is designed to connect to the boiler burner. Using the inputs from the outdoor temperature sensor and the system temperature sensor, the EPU-D controls the heating system by turning the boiler burner on or off.

Specifications

EPU-D Control Module

Voltage Input:	120Vac 60Hz
Maximum Input Rating:	48VA max
Dimensions (W x H x D):	11" x 9" x 3 3/4" (279.4mm x 228.6mm x 95.25mm)
Weight:	2.5lbs (1.13kg)
Output Relays:	1 Burner Output 1 Valve Output
Output Relay Rating:	Burner Output: 1A pilot duty at 120Vac 60Hz Valve Output: 6A resistive at 120Vac 60Hz
Inputs:	System Temperature Outdoor Temperature Remote Shutdown
User Interface:	Digital Display Display Units: Temperature (°F and °C) Status Indicators (3 LEDs) Variable-Function Buttons (4)

Installation Instructions

The EPU-D installation process consists of the following basic steps:

1. Initial installation (see “Design Considerations” on page 11).
 - Locating and installing the sensors.
2. Mounting the EPU-D Module (see page 14).
3. Connecting the EPU-D wiring (see “Wiring the EPU-D” on page 16).
 - Power wiring
 - Output wiring
 - Input wiring
4. Completing initial programming of the EPU-D (see page 20).

Supplied Materials

The following materials are supplied with the control module:

- EPU-D Control Module (p/n 926840-00)
- Two Sensors with Enclosures (p/n 904220-00)
- Wall Anchors and Screws
- Installation and Operation Manual (p/n 059840-00)
- Warranty Card (p/n 059115-00)

Required Materials (Not Supplied)

The following materials/tools are required for installation, but are not supplied:

- General tool kit (screwdrivers, wire strippers, power drill, etc.)
- 18 AWG cable (Heat-Timer p/n 703001-01 or equivalent #18/2 cable) – used for EPU-D wiring

Design Considerations

When installing the system, certain design considerations must be taken into account. These include:

- Outdoor Temperature Sensor Locations
- Heating System Sensor Location
- Output Control: Burner or Motorized Valve

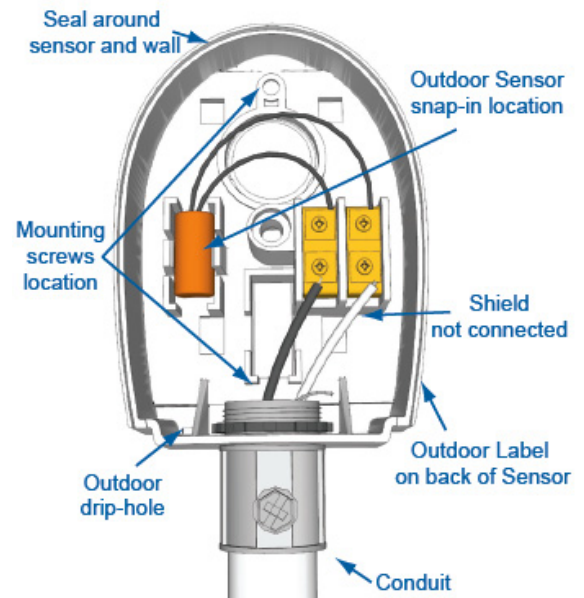
Outdoor Temperature Sensor Installation

Consider the following when installing the outdoor temperature sensor:

CAUTION

Determining the proper location for the outdoor sensor is very important. The EPU-D bases the heat on the outdoor temperature information it receives from this location. If the sensor is in the sun or covered with ice, its reading will differ from the actual outdoor temperature.

- Only use the sensor provided with the control.
- Locate the sensor in the shade on the north side of the building. The sensor should never be in direct sunlight.
- Be sure the location is away from doors, windows, exhaust fans, vents, or other possible heat or cold sources.
- The sensor should be mounted approximately 10 feet (3 meters) above ground level.
- Adhere the provided outdoor label to the back of the sensor base.
- Use the enclosure base bottom knockout for the conduit. Use the locknut to hold the conduit and enclosure base together. Screw the cover to the base.
- Make sure to seal around the sensor enclosure and wall, except from the bottom of the enclosure.
- The sensor wires can be extended up to 500 feet (152.4 meters) using shielded 2-conductor (#18/2) cable (Heat Timer p/n 703001-01).
- Do not connect the shield at the sensor. However, connect the shield at the control. See “Wiring the Outdoor Temperature Sensor” on page 19.



Heating System Sensor Installation

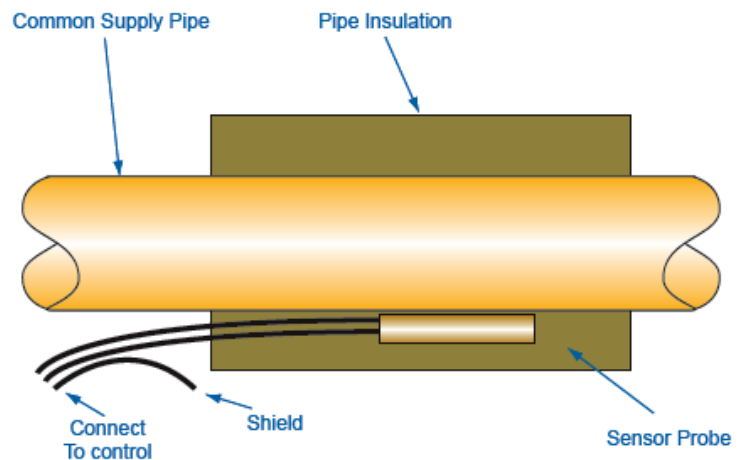
Consider the following when installing the heating system sensor:

CAUTION

Determining the proper location for the heating system sensor is very important. If the heating system sensor cannot sense the system is full of steam, the EPU-D will not provide comfortable heat levels. Be sure the heating system sensor is located on a properly vented pipe that cannot easily be isolated from the system.

NEVER install the heating system sensor between the condensate receiver and the boiler.

- Only use the sensor provided with the control.
- The ideal location for the heating system sensor is on the furthest radiator in the system. This radiator is usually the hardest to heat.
- The sensor may be located on the furthest return riser. However, the sensor **MUST** be above the boiler water line (on a dry return). See “Piping Diagrams” on page 38.
- Strap the heating system sensor to the pipe using the tie-wraps provided with the sensor. Then wrap insulation around the sensor and pipe to achieve the highest accuracy.
- The sensor wires can be extended up to 500 feet (152.4 meters) using shielded 2-conductor (#18/2) cable (Heat Timer p/n 703001-01).
- Do not connect the shield at the sensor. However, connect the shield at the control. See “Wiring the Heating System Sensor” on page 18.



Mounting the EPU-D Module

Mounting the Enclosure

1. Select an appropriate location to mount the EPU-D. The location must meet the following minimum requirements:
 - The mounting surface should be flat and strong enough to hold the weight of the device.
 - The device can be mounted a maximum of 500 feet (152.4 meters) from the sensor location, but should be mounted as near as possible to avoid excessive wire runs.
 - DO NOT mount the device in a location where it will be exposed to extreme heat, cold, humidity, or moisture.
2. Remove the Enclosure Wiring Cover (1) by removing the two lower screws (2) holding it to the base (3), and then remove the Display Module (4) by removing the two middle screws (5) holding it to the base.

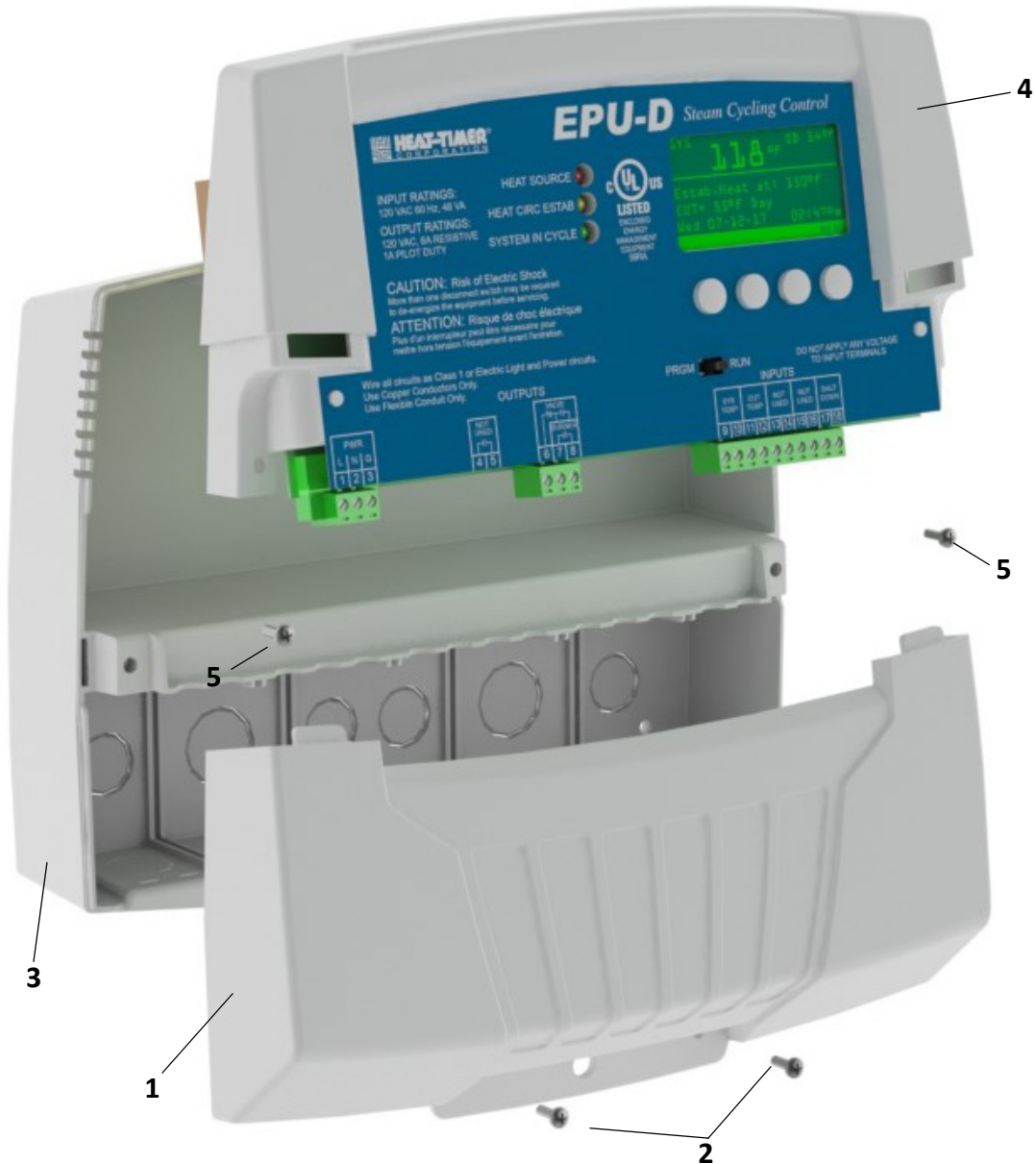


Figure 4: EPU-D Control Module Parts Diagram

3. Position the Enclosure base in the desired location, and then secure the base in place using four screws (provided) through the mounting holes (1) on the back of the Enclosure base.

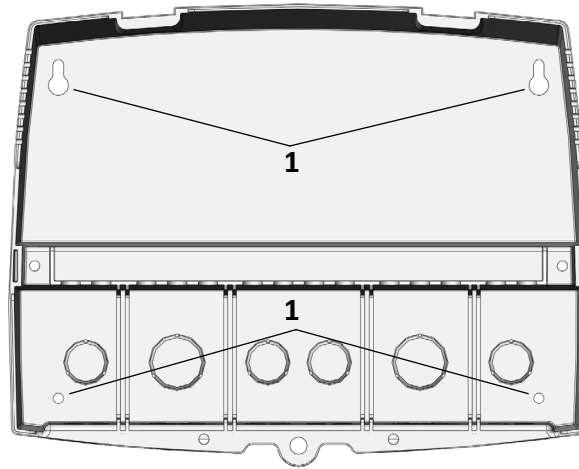


Figure 5: EPU-D Enclosure Base

Mounting the Display Module

1. Turn the EPU-D display module (1) over to reveal the battery (2). Remove the plastic tab to activate the battery.

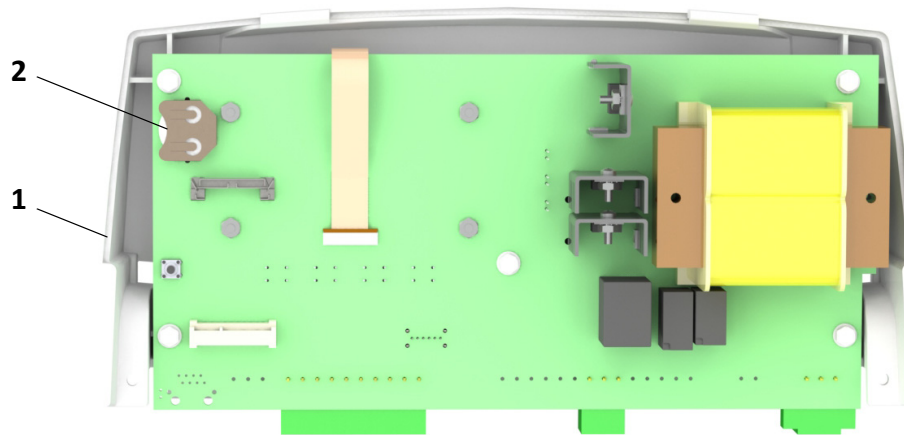


Figure 6: EPU-D Display Module Battery Location

NOTE: The battery is a coin lithium battery (CR2032 - Heat Timer p/n 020002-00) that is used to maintain the control’s date and time during power outages. The battery can maintain the clock for up to a total of 100 days.

⚠ CAUTION

Do not activate the battery unless you plan to keep the control continuously powered. If the control has no power, the battery will lose its charge in 100 days.

2. Position the Display Module into the base and secure it in place using the middle screws removed in Step 2 above.

NOTE: Do not replace the Enclosure Wiring Cover until all wiring is completed.

3. Continue with “Wiring the EPU-D” on page 16.

Wiring the EPU-D

Power Input Wiring

⚠ WARNING

ELECTRICAL SHOCK HAZARD! Disconnect electrical power to the device before servicing or making any electrical connections. Failure to do so may result in severe personal injury or death.

Use a separate circuit breaker for the control. Do not share the control power with other major equipment, pumps, or motors. Heat-Timer recommends the installation of a surge suppressor and a power switch before the power line connection.

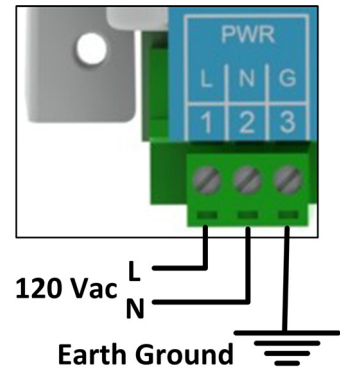
Follow all local and state electrical codes when installing this unit. All wiring must meet or exceed local, state, or federal codes and requirements.

1. De-energize the circuit that will provide power to the EPU-D by turning off the appropriate circuit breaker.
2. Run the 120Vac power wiring through one of the knockouts located on the bottom of the EPU-D enclosure.

⚠ CAUTION

The input power wires must be N.E.C. Class 1. Class 1 voltage wiring must use a different enclosure knockout and conduit than any sensor wiring.

3. Connect the hot line to terminal 1 on the EPU-D.
4. Connect the neutral line to terminal 2 on the EPU-D.
5. Connect terminal 3 on the EPU-D to earth ground. **DO NOT** use the neutral line as the earth ground!



⚠ WARNING

ELECTRICAL SHOCK HAZARD! To avoid the risk of electric shock, **DO NOT** re-connect electrical power until **ALL** wiring to the EPU-D is completed. Failure to do so may result in severe personal injury or death.

Output Wiring

NOTE: The EPU-D outputs do not source power. If power is needed at a specific output, a separate power source must be wired in series with the output. Each output relay can switch a 6A resistive load at 120Vac or a 1A inductive load.

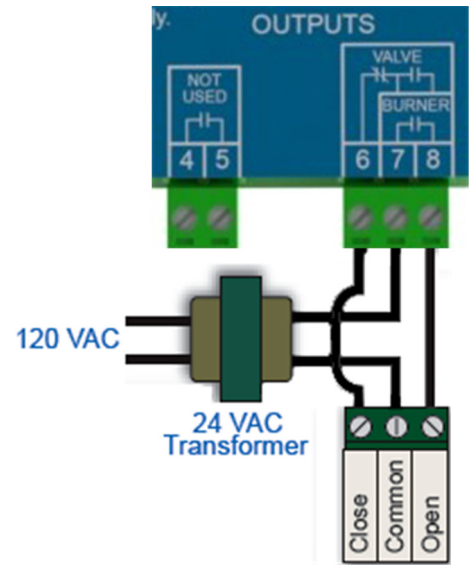
⚠ CAUTION

Class 2 voltage wiring (low-voltage sensor wires) must use a different enclosure knockout and conduit than any Class 1 voltage wiring.

Wiring to a Motorized Valve

NOTE: The EPU-D does not source power to the motorized valve terminals. An external 24Vdc power source is required and must be connected in series, as shown in the diagram.

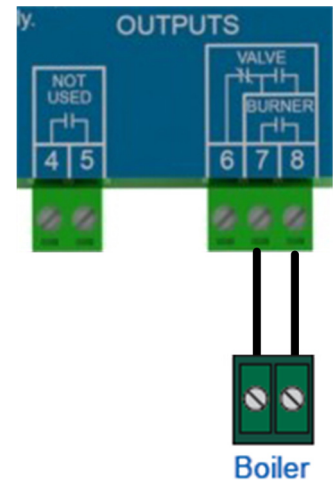
1. Run the motorized valve signal wiring through a knockout located on the bottom of the EPU-D enclosure.
2. Connect the motorized valve Close terminal to terminal 6 on the EPU-D.
3. Connect the motorized valve Open terminal to terminal 8 on the EPU-D.
4. Connect a 24Vac transformer power source.
 - a. Run a transformer wire through a knockout located on the bottom of the EPU-D enclosure and connect terminal 7 on the EPU-D to a transformer 24Vac terminal.
 - b. Connect the motorized valve Common terminal to a transformer 24Vac terminal.



Wiring to a Boiler

NOTE: The EPU-D does not source power to the boiler terminals. Wire the burner output in series with the boiler limit circuit.

1. Run the burner enable signal wires through a knockout located on the bottom of the EPU-D enclosure.
2. Connect a burner enable terminals to terminals 7 and 8 on the EPU-D.



Input Wiring

CAUTION

To avoid damage to the EPU-D, **NO VOLTAGE** can be applied to the EPU-D input terminals.

Class 2 voltage wiring (low-voltage sensor and communication wires) must use a different enclosure knockout and conduit than any Class 1 voltage wiring.

Wiring the Heating System Sensor

NOTES:

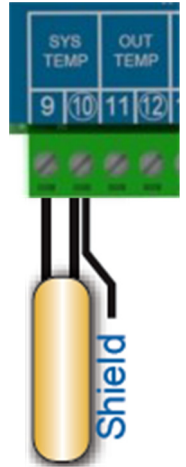
- Use only the provided Heat-Timer heating system sensor (p/n 904220-00). See page 8 for a description of the sensor.
- For acceptable sensor locations, see “Piping Diagrams” on page 38.

1. Run the System Temperature Sensor wires through a knockout located on the bottom of the EPU-D enclosure.

NOTE: The sensor wires can be extended up to 500 feet (152.5 meters) using an 18 AWG shielded 2-conductor cable (Heat-Timer p/n 703001-01 or equivalent #18/2 cable).

2. Connect the System Temperature Sensor wires to terminals 9 and 10 on the EPU-D.
3. Connect the shield to terminal 10 on the EPU-D.

NOTE: Do not connect the shield at the sensor end.



Wiring an Optional Pressuretrol Sensor

NOTES:

- Heat-Timer does not provide a Pressuretrol sensor.
- The optional Pressuretrol sensor must be a reverse-acting sensor. See page 8 for a description of the sensor.
- For acceptable sensor locations, see “Piping Diagrams” on page 38.

1. Connect wires to the Pressuretrol normally-closed terminals.
2. Run the wires from the Pressuretrol through a knockout located on the bottom of the EPU-D enclosure.

NOTE: The sensor wires can be extended up to 500 feet (152.5 meters) using an 18 AWG shielded 2-conductor cable (Heat-Timer p/n 703001-01 or equivalent #18/2 cable).

3. Connect the Pressuretrol wires to terminals 9 and 10 on the EPU-D.
4. Connect the shield to terminal 10 on the EPU-D.

NOTE: Do not connect the shield at the sensor end.



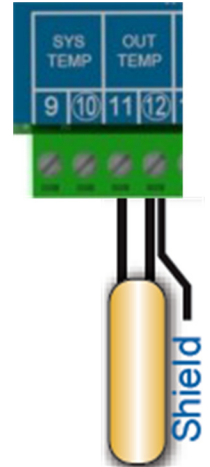
Wiring the Outdoor Temperature Sensor

NOTES:

- Use only the provided Heat-Timer temperature sensor (p/n 904220-00).
 - For acceptable sensor locations, see “Outdoor Temperature Sensor” on page 8.
1. Run the Outdoor Temperature Sensor wires through a knockout located on the bottom of the EPU-D enclosure.

NOTE: The sensor wires can be extended up to 500 feet (152.5 meters) using an 18 AWG shielded 2-conductor cable (Heat-Timer p/n 703001-01 or equivalent #18/2 cable).
 2. Connect the Outdoor Temperature Sensor wires to terminals 11 and 12 on the EPU-D.
 3. Connect the shield to terminal 12 on the EPU-D.

NOTE: Do not connect the shield at the sensor end.



Wiring the Optional Remote Shutdown / TSTAT

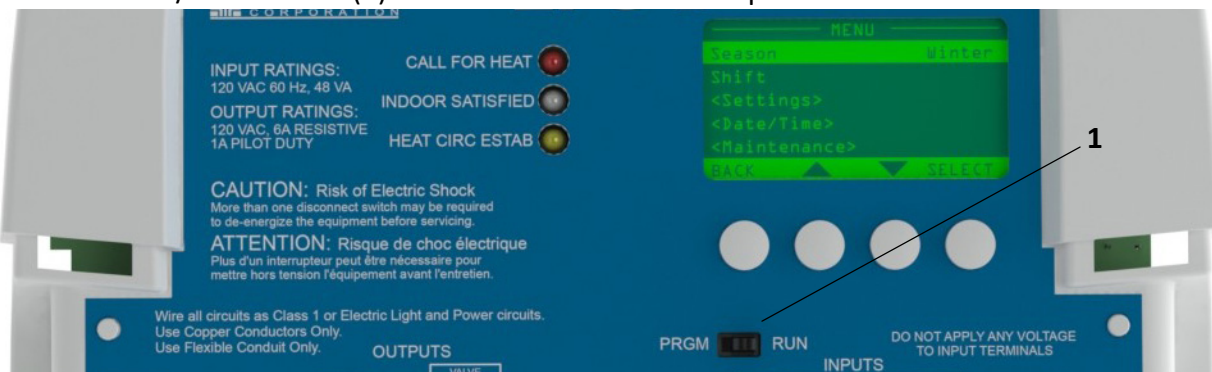
1. Run the Remote Shutdown wires through a knockout located on the bottom of the EPU-D enclosure.
2. Connect the Remote Shutdown dry-contact wires to terminals 17 and 18 on the EPU-D.

NOTE: The terminals can be configured as normally-open or normally-closed. If connected to a remote shutdown, the terminals need an “open” signal. If connected to a TSTAT, the terminals need a “closed” (short) signal.



Powering-On the EPU-D

1. Apply power to the EPU-D.
2. Place the PRGM / RUN switch (1) on the EPU-D in the **PRGM** position.



3. Perform initial programming of the EPU-D (see “Initial Programming of the EPU-D” on page 20).

Completing the Installation

After the EPU-D is powered-on and the initial programming is complete:

1. Place the PRGM / RUN switch (1) on the EPU-D in the **RUN** position.
2. Replace the EPU-D enclosure wiring cover and secure it in place with two screws.
3. Optionally secure the enclosure using a padlock with a maximum shank diameter of 1/8".

Initial Programming of the EPU-D

When the EPU-D is first powered-on and initialization is complete, the System Startup menu screens appear.

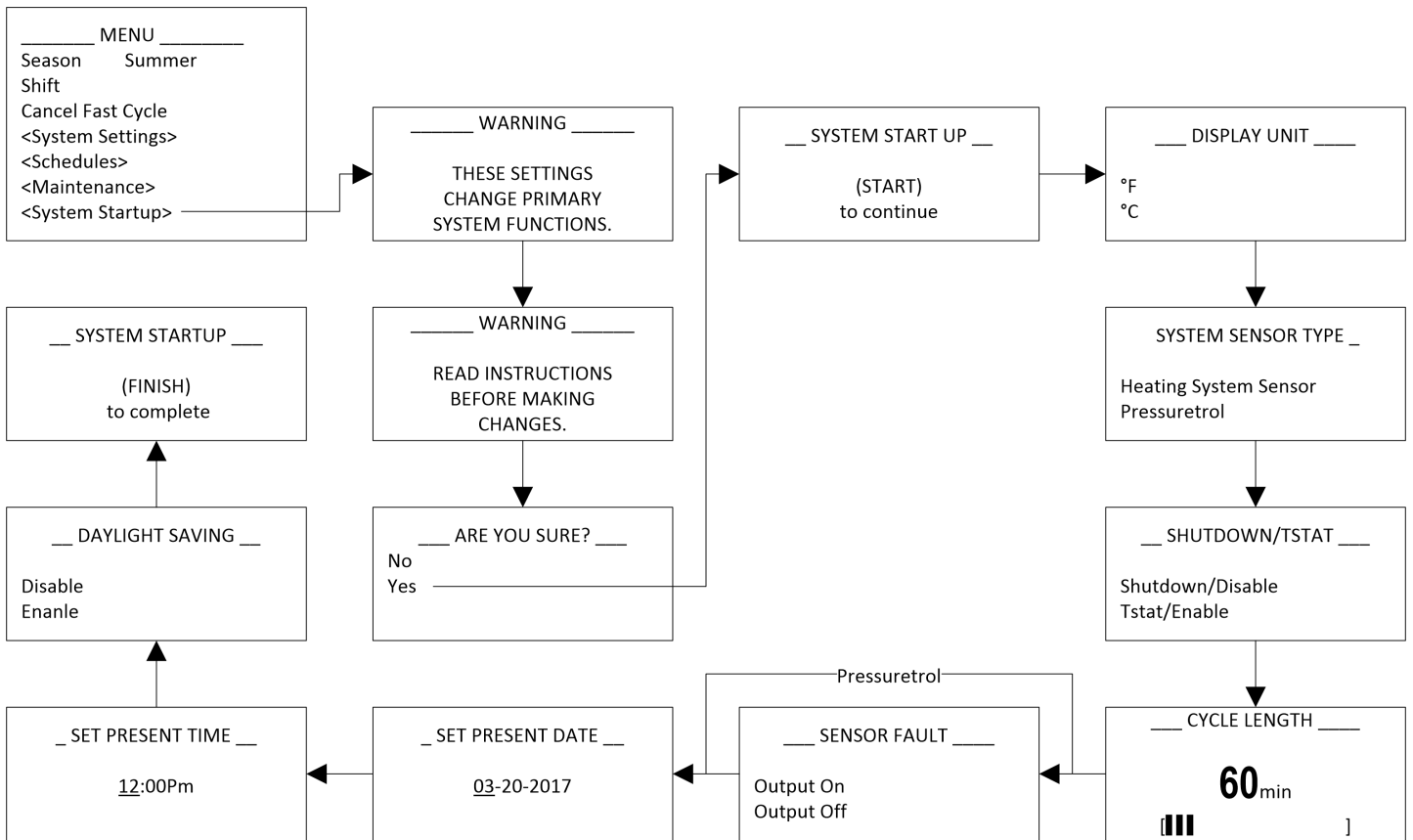
NOTE: If the System Startup menu screens do not appear, the EPU-D has already been configured. To check the configuration or to make changes, select System Startup from the Main menu.

To initially program the EPU-D:

1. Follow the System Startup menu screens to program the unit (see below).
2. Configure the system settings, including: day/night heat adjustment, day/night cutoff temperature, boost, system setpoint, and thermal lockout (see “System Settings Menu” on page 29).
3. Set the day/night schedule times (see “Schedules Menu” on page 33).

System Startup Menu

The System Startup menu provides the options used to configure basic settings for the EPU-D. This includes: display units, sensor type, cycle length, and date/time settings.



Display Unit

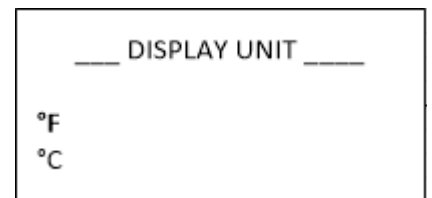
Selections: °F, °C

Default: °F

Menu Path: /System Startup > Display Unit

Description:

Sets the display of all temperature settings to Fahrenheit or Celsius.



Sensor Fault

Selections: Output On
Output Off

Default: Output On

__ SENSOR FAULT __
Output On
Output Off

Menu Path: /System Startup > Display Unit > System Sensor Type > Shutdown/TSTAT > Cycle Length > Sensor Fault

Description:

Sets the action the system will take if the outdoor sensor has a fault condition (open or short).

Selecting *Output On* causes the system to turn on the output relay when the sensor fault condition is detected. This energizes the boiler burner or maintains the motorized valve actuator open, providing continuous heat until the sensor problem is corrected. This option will help prevent system freeze-up.

Selecting *Output Off* causes the system to turn off the output relay. No heat is provided until the sensor problem is corrected.

Set Present Date and Time

Selections: Numerical values for Month, Day, Year, and Time

Menu Path: /System Startup > Display Unit > System Sensor Type > Shutdown/TSTAT > Cycle Length > Sensor Fault > Set Present Date > Set Present Time

_ SET PRESENT DATE _
<u>03</u> -20-2017

Description:

Sets the present date and time on the control. The date and time are used to regulate the Schedule.

The EPU-D battery is used to maintain the date and time during power outages.

_ SET PRESENT TIME _
<u>12</u> :00Pm

Daylight Saving

Selections: Enable, Disable

Default: Enable

Menu Path: /System Startup > Display Unit > System Sensor Type > Shutdown/TSTAT > Cycle Length > Sensor Fault > Set Present Date > Set Present Time > Daylight Saving

__ DAYLIGHT SAVING __
Disable
Enable

Description:

Enables or disables Daylight Saving mode. When enabled, the present time on the control will be automatically adjusted for Daylight Savings Time.

EPU-D Display and Programming

EPU-D Control Module Status LEDs

The EPU-D has three status LEDs:

LED	Description
Call for Heat	Red LED that indicates the outdoor temperature sensor calls for heat.
Indoor Satisfied	Green LED that indicates the system is in cycle.
Heat Circ Estab	Amber LED that indicates heat circulation has been established.

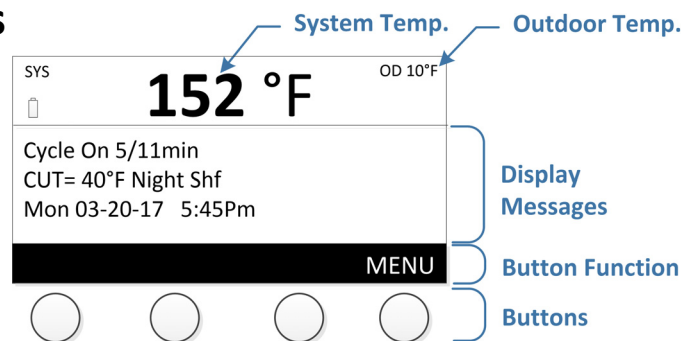
The following table describes the various status LED combinations.

LED			Description
Red	Amber	Green	
ON	OFF	OFF	The outdoor temperature sensor calls for heat, but heat established / heating system sensor temperature has not been reached.
ON	ON	ON	Heat circulation has been established. The Cycle-ON segment is being timed.
OFF	ON	ON	The Cycle-OFF segment is being timed. Heat is still established.
OFF	FLASH	OFF	The EPU-D is in thermal lockout. The control will not call for heat until the temperature of the return pipe drops to 25°F below the system setpoint setting.
OFF	OFF	ON	The system is in cycle.
OFF	OFF	OFF	Indicates the control season is set to Winter and the outdoor temperature is above the setting of the outdoor temperature sensor.

Display and Variable-Function Buttons

The EPU-D display shows the system sensor temperature (when Sensor Type = Heating System Sensor) or the outdoor temperature (when Sensor Type = Pressuretrol) and appropriate operation messages. See “Display Icons and Messages” on page 24 for more information.

The area above the variable-function buttons displays the current function for each button.



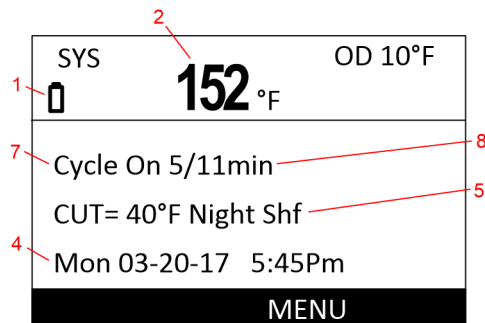
The display button functions vary based on the current screen displayed, as described in the following table:

Screen	Button			
	Left	▲	▼	Right
Default	Has no function	Has no function		MENU Enters the menu mode.
Menu	BACK Goes back one menu step.	Scrolls through the menu.		SELECT Selects current menu item.
Setting		Changes the current setting value.		SAVE Saves current setting.
Configuration				NEXT or EXIT Jumps to next view or exits.

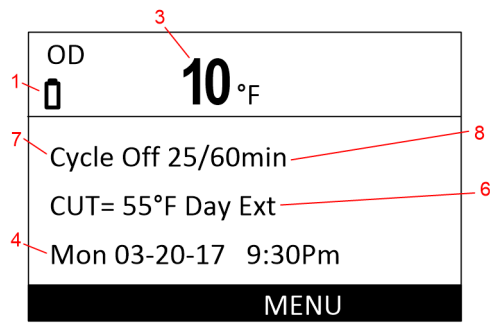
Default Display

The EPU-D default display varies depending on selected Sensor Type.

Sensor Type = Heating System Sensor



Sensor Type = Pressuretrol



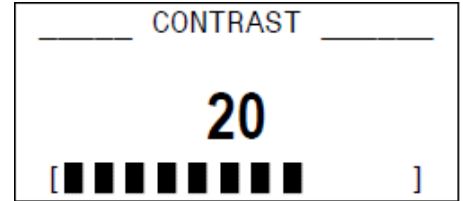
Display Icons and Messages

The following icons and messages may be displayed by the EPU-D.

#	Sensor Type	Message	Description
1	All		The battery icon blinks when the battery is weak.
2	HSS	Temperature	When Heating System Sensor is selected as the Sensor Type, the system temperature displays by default. The value is shown in (°F or °C), depending on the Display Unit setting.
3	Pressuretrol	Temperature	When Pressuretrol is selected as the Sensor Type, the outdoor temperature displays by default. The value is shown in (°F or °C), depending on the Display Unit setting.
4	All	Call Factory!	A hardware fault has been detected.
5	HSS	Shf	If Schedule Shift is active, Shf displays.
6	Pressuretrol	Ext	If Extend Day is selected from the Night Schedule, display toggles between Ext and the remaining extended minutes.
7	All	Status message	The status message varies depending on the current operating state.
8	All	min	If Fast Cycle Test is active, min blinks and time elapses 60x faster.

Setting the Display Contrast

1. At the default screen, press and hold the left-most button for 3 seconds or more. Continue to hold the button while making adjustments.
2. Use the up and down buttons to change the contrast setting (0–30, default = 20).
3. Release the left-most button when the desired setting is reached.

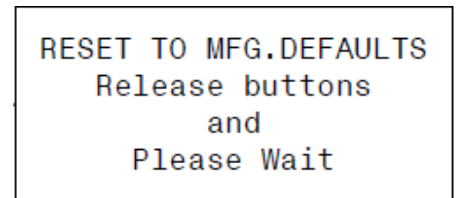


Resetting to Factory Default

To set the EPU-D back to its original factory default settings:

1. Remove power from the EPU-D.
2. Press and hold the two right-most buttons on the EPU-D while powering the control on.
3. Release the buttons when instructed to do so on the display.

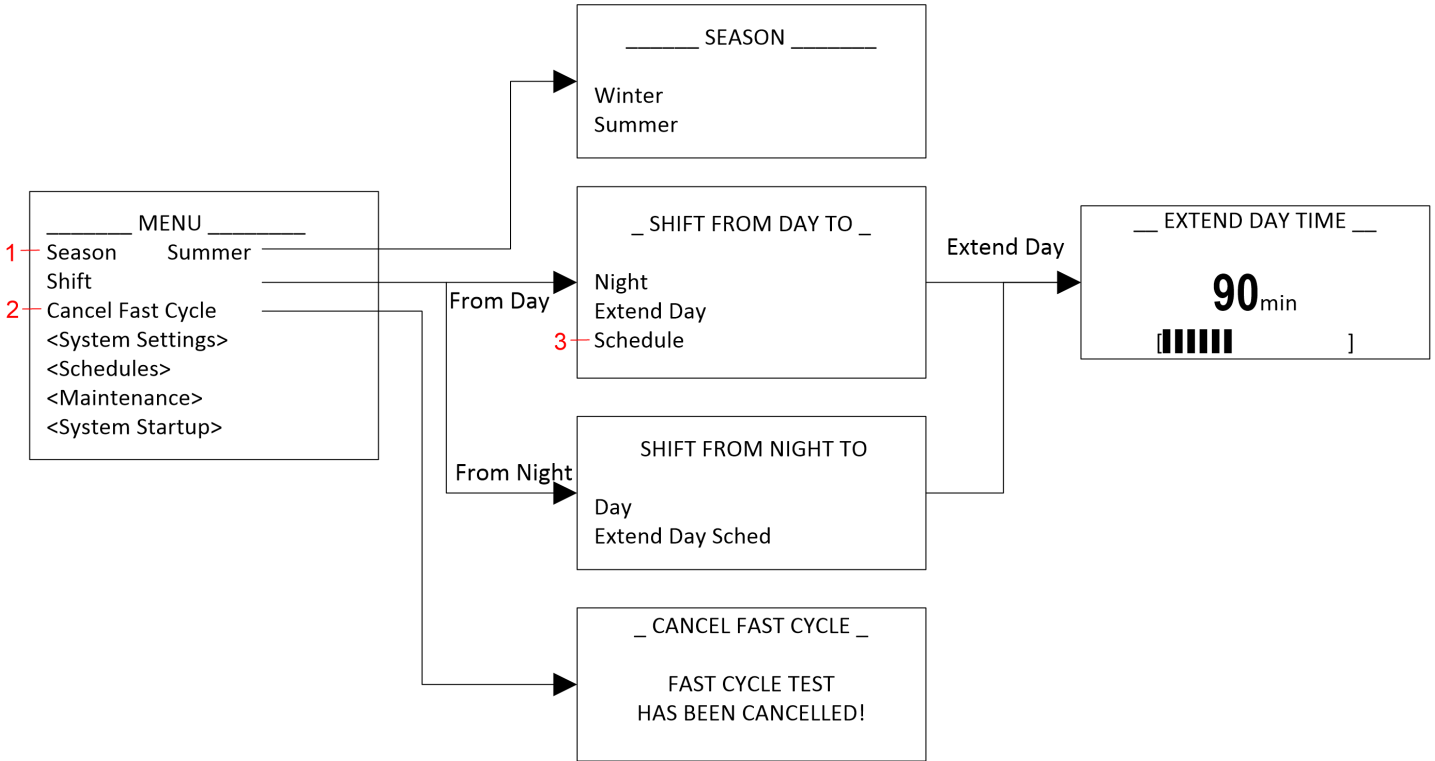
A message displays stating the operating parameters are reset, and then the EPU-D will go to the Startup menu (see “System Startup Menu” on page 20).



EPU-D Menus

Main Menu

The main Menu is used to set the system season, temporarily shift Day or Night schedules to another schedule, cancel Fast Cycle Test, and provides access to other system, schedule, and maintenance settings.



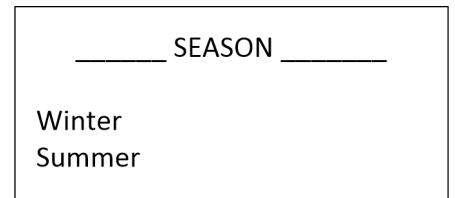
- 1 – Depending on the current Season setting, this parameter can be found in different menu level.
- 2 – Displayed if Fast Cycle Test is currently active.
- 3 – Displayed if Extend Day is currently active.

Season

Selections: Winter, Summer

Default: Winter

Menu Path: /Menu > Season



Description:

Sets the current season.

When *Winter* is selected, the EPU-D will operate the building heat whenever the outdoor temperature falls below the Cutoff temperature (see “Day Cutoff” on page 30 and “Night Cutoff” on page 31).

When *Summer* is selected, the EPU-D will not energize the boiler burner or motorized valve actuator.

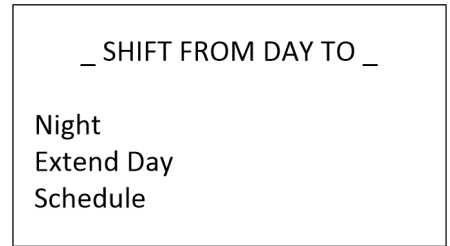
NOTE: The Season setting is also located in the /System Settings menu.

Shift From Day To

Selections: Night, Extend Day, Schedule

Default: Night

Menu Path: /Menu > Shift From Day



Description:

Manually shifts the EPU-D from the Day schedule to the selected setting without having to change the program schedule. The schedule shift takes place immediately.

When Night is selected, the schedule shift remains in effect until the EPU-D clock advances to the next setting on the schedule. For example, if the control is shifted from Day to Night on Friday at 3 pm, and the next Day setting on the schedule is not until Monday at 6 am, the control will remain in Night mode until Monday at 6 am.

When Extend Day is selected, the EPU-D will extend the Day heat schedule by the amount of time specified in the Extend Day Time setting (see page 28).

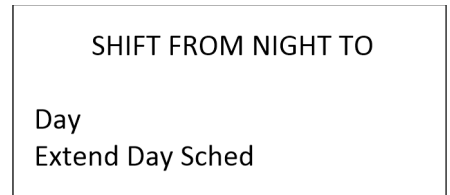
When Schedule is selected, the EPU-D checks its schedule and sets the heat level accordingly.

Shift From Night To

Selections: Day, Extend Day Sched

Default: Day

Menu Path: /Menu > Shift From Night



Description:

Manually shifts the EPU-D from the Night schedule to the selected setting without having to change the program schedule. The schedule shift takes place immediately.

When Day is selected, the schedule shift remains in effect until the EPU-D clock advances to the next setting on the schedule. For example, if the control is shifted from Night to Day on Saturday at 6 am, and the next Night setting on the schedule is not until Sunday at 3 pm, the control will remain in Day mode until Sunday at 3 pm.

When Extend Day Sched is selected, the EPU-D will shift from Night to Day schedule for the amount of time specified in the Extend Day Time setting (see page 28). The control automatically returns to Night after the time has elapsed.

Extend Day Time

Selections: 60 to 240 minutes

Default: 90

Menu Path:

*/Menu > Shift From Day > Extend Day
/Menu > Shift From Night > Extend Day Sched*



Description:

Sets the length of time the control will extend the Day schedule when using the Shift feature (see "Shift From Day To" or "Shift From Night To" on page 27).

Cancel Fast Cycle

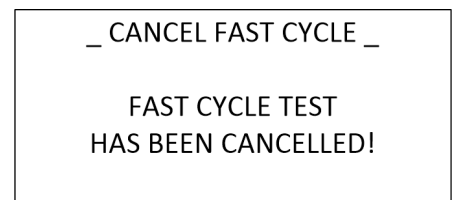
Selections: None

Menu Path: */Menu > Cancel Fast Cycle*

Description:

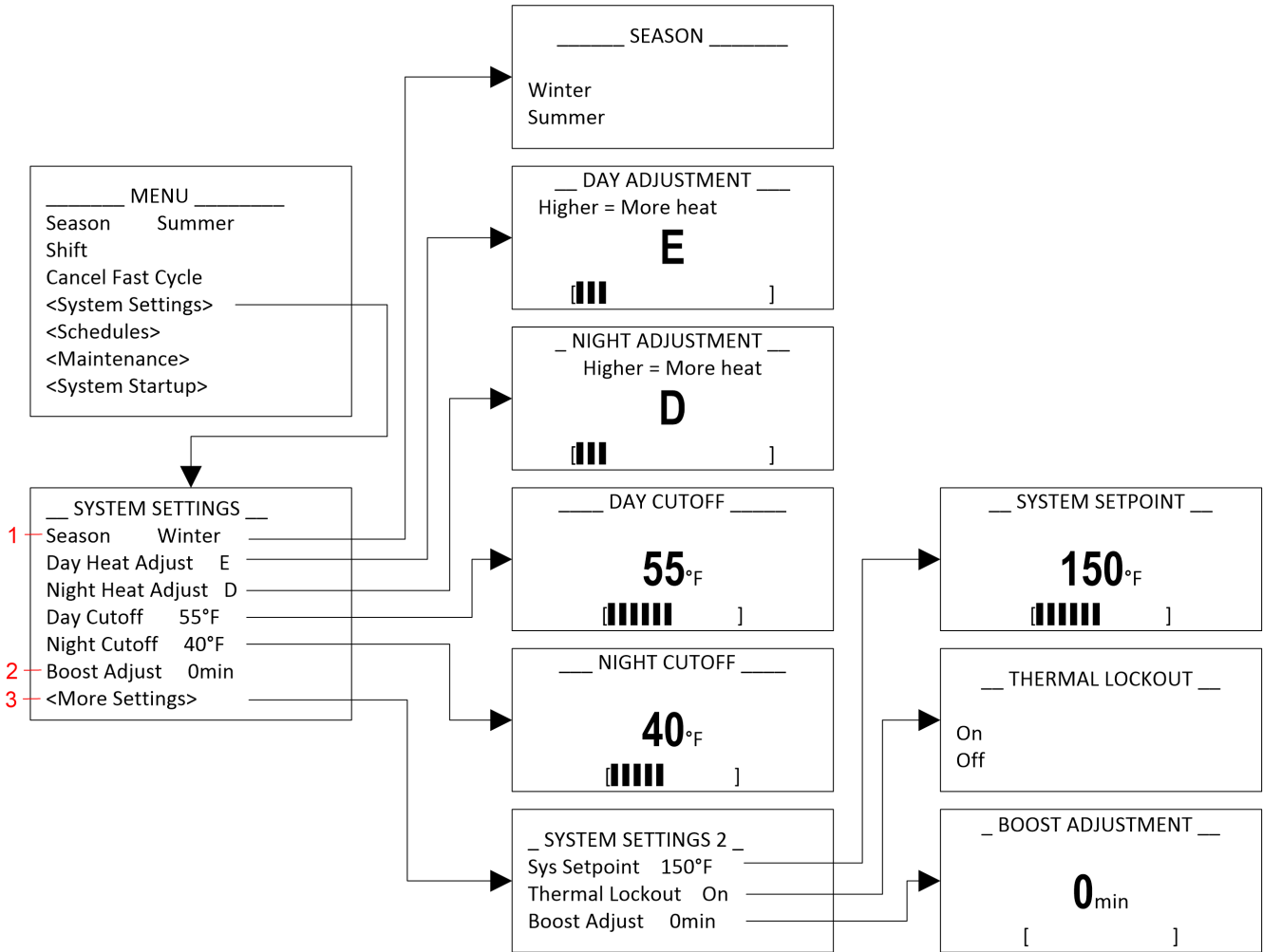
Cancels the Fast Cycle Test (see "Fast Cycle Test" on page 36).

NOTE: This menu option is used for testing purposes only, and is only displayed if a Fast Cycle Test is active.



System Settings Menu

The System Settings menu is used to set the system season, day/night settings, boost adjust, system setpoint, and thermal lockout settings.



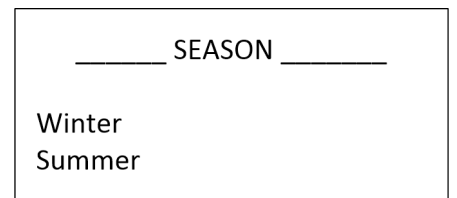
- 1 – Depending on the current Season setting, this parameter can be found in a different menu level.
- 2 – When System Sensor Type = Pressuretrol.
- 3 – When System Sensor Type = Heating System Sensor.

Season

Selections: Winter, Summer

Default: Winter

Menu Path: /System Settings > Season



Description:

Sets the current operating season.

When **Winter** is selected, the EPU-D will operate the building heat whenever the outdoor temperature falls below the Cutoff temperature (see “Day Cutoff” on page 30 and “Night Cutoff” on page 31).

When **Summer** is selected, the EPU-D will not energize the boiler burner or motorized valve actuator.

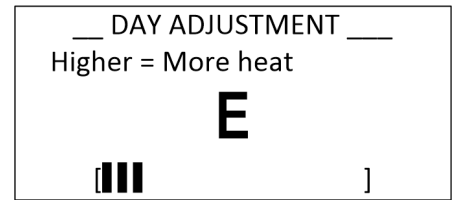
NOTE: When Season = Summer, the Season setting is located in the /Menu > Season menu.

Day Adjustment

Selections: A through P

Menu Path: /System Settings > Day Heat Adjust

Default: E



Description:

Controls the length of the Cycle-ON segment based on the outdoor temperature as compared to the Day Cutoff setting (see “Day Cutoff” on page 30) during daytime operation. Setting “A” is the lowest setting (less heat), “P” is the highest setting (most heat).

During daytime operation, if the building is too cold, set the Day Adjustment one letter higher, if the building is too hot, set the Day Adjustment one letter lower. Wait 24 hours to evaluate the new setting before making any additional adjustments.

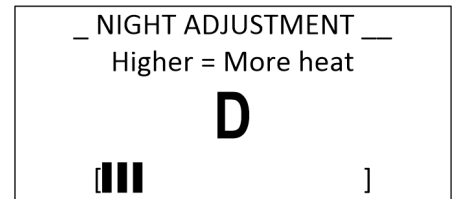
See “Cycle Length” on page 5 for more information.

Night Adjustment

Selections: A through P

Menu Path: /System Settings > Night Heat Adjust

Default: D



Description:

Controls the length of the Cycle-ON segment based on the outdoor temperature as compared to the Night Cutoff setting (see “Night Cutoff” on page 31) during nighttime operation. Setting “A” is the lowest setting (less heat), “P” is the highest setting (most heat).

During nighttime operation, if the building is too cold, set the Night Adjustment one letter higher, if the building is too hot, set the Night Adjustment one letter lower. Wait 24 hours to evaluate the new setting before making any additional adjustments.

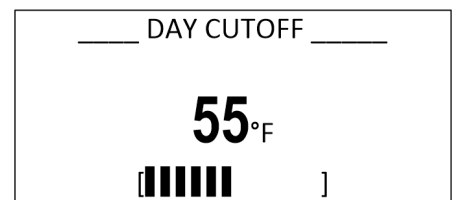
See “Cycle Length” on page 5 for more information.

Day Cutoff

Selections: 20 °F / -7 °C (on)
100 °F / 38 °C (off)

Menu Path: /System Settings > Day Cutoff

Default: 55 °F / 13 °C



Description:

Sets the outdoor daytime temperature cutoff for when the EPU-D calls for heat.

When the outdoor temperature falls below the cutoff, the control begins running cycles and providing steam to the heating system.

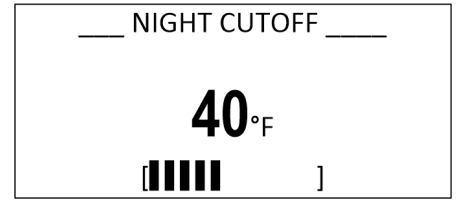
When the outdoor temperature rises to 2°F above the cutoff, the control stops providing steam to the heating system.

Night Cutoff

Selections: 20°F/-7°C (on)
100°F/38°C (off)

Default: 40°F/4°C

Menu Path: /System Settings > Night Cutoff



Description:

Sets the outdoor nighttime temperature cutoff for when the EPU-D calls for heat.

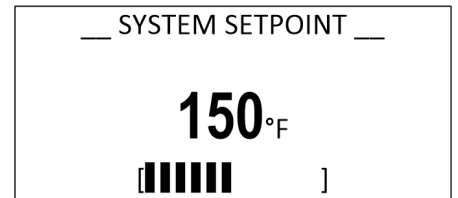
When the outdoor temperature falls below the cutoff, the control begins running cycles and providing steam to the heating system.

When the outdoor temperature rises to 2°F above the cutoff, the control stops providing steam to the heating system.

System Setpoint

Selections: 70°F/21°C to 250°F/121°C

Default: 150°F/66°C



Menu Path: /System Settings > More Settings > Sys Setpoint

Available When: System Sensor Type = Heating System Sensor

Description:

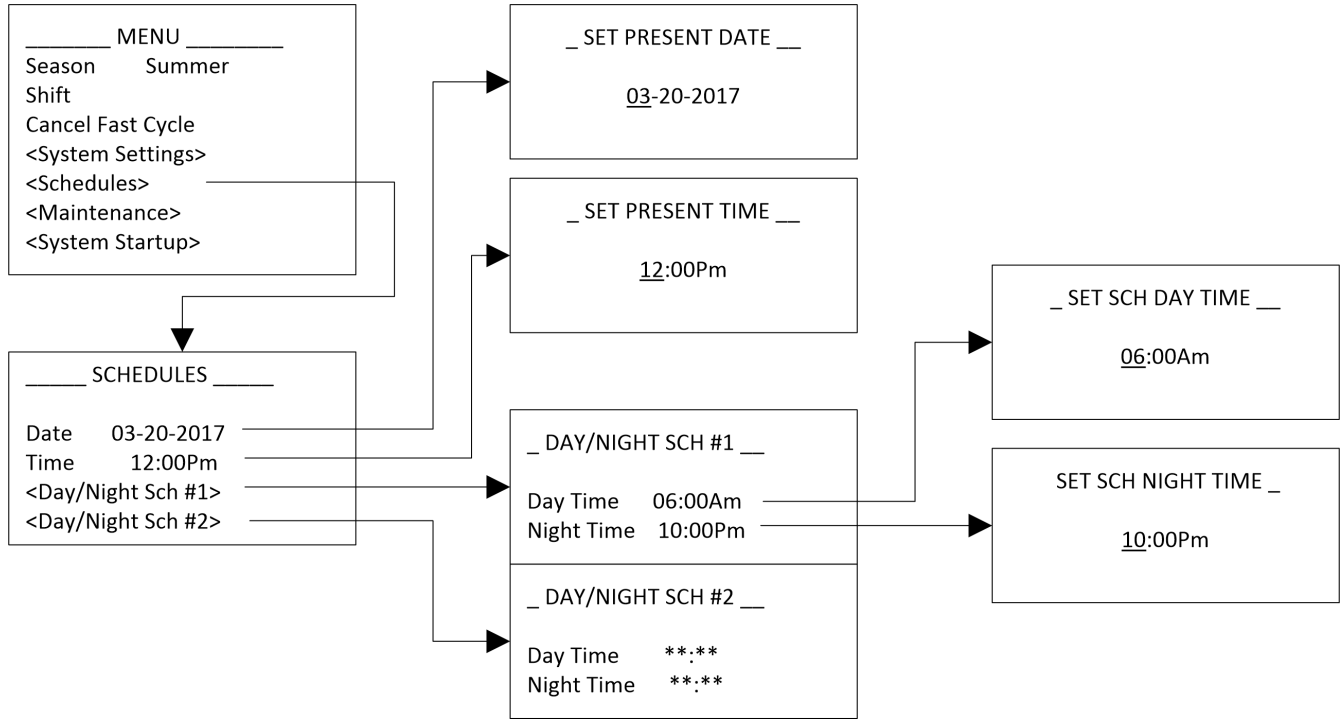
Sets the temperature at which the heat has gotten all the way through the building heating system. All radiators in the building are hot when above this temperature.

To determine the System Setpoint (two people recommended):

1. Turn off the heating system and wait until all radiators are cool.
2. Position someone near the farthest radiator (in terms of piping distance) or to a radiator known to get heat last.
3. Switch the EPU-D to Bypass (see "Bypass Mode" on page 35).
4. When the last radiator is getting warm, record the System temperature shown on the EPU-D display.
5. Set the System Setpoint to the temperature recorded in the previous step.
6. Switch the EPU-D back to Auto.

Schedules Menu

The Schedules menu is used to set the current system date and time, and to configure schedules that specify the time day and night operation will begin. Up to two day/night schedules can be configured.



Set Present Date

Selections: Numerical values for Month, Day, and Year

Menu Path: /Schedules > Date

Description:

Sets the present date on the control. The date and time are used to regulate the Schedule.

The EPU-D battery is used to maintain the date and time during power outages.



Set Present Time

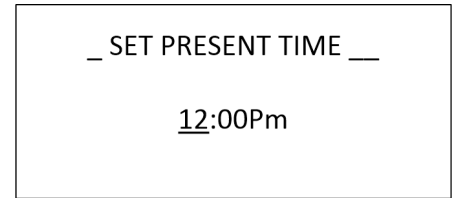
Selections: Numerical values for Time

Menu Path: /Schedules > Time

Description:

Sets the present time on the control. The date and time are used to regulate the Schedule.

The EPU-D battery is used to maintain the date and time during power outages.



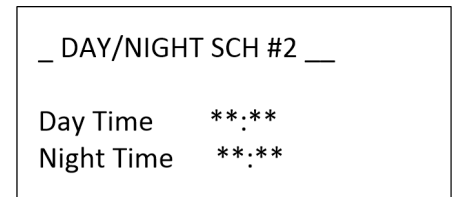
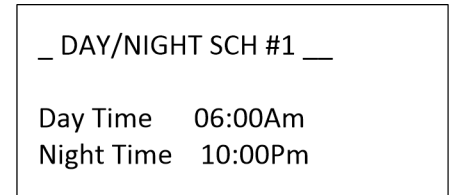
Day/Night Sch #1 and Day/Night Sch #2

Selections: Numerical values for Time

Menu Path: /Schedules > Day/Night Sch #1
/Schedules > Day/Night Sch #2

Description:

Displays the currently selected start times for the Day Time and Night Time schedules for each day of the week. Up to two day/night schedules may be configured. The EPU-D ignores any time setting that reads ** : ** (time not set).



Set Sch Day Time

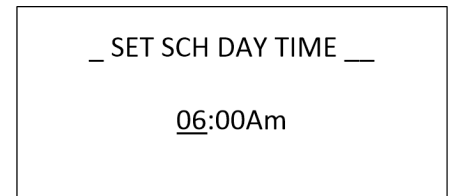
Selections: Numerical values for Time

Default: 6 : 00Am

Menu Path: /Schedules > Day/Night Sch #1 > Day Time
/Schedules > Day/Night Sch #2 > Day Time

Description:

Sets the start time for the selected Day Time schedule. To clear the current setting, press the Prev (Del) button on the EPU-D display. The cleared setting displays as ** : **.



Set Sch Night Time

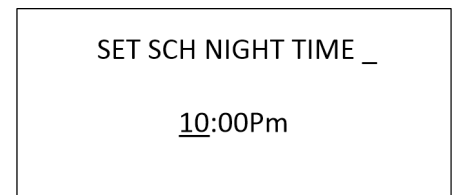
Selections: Numerical values for Time

Default: 10 : 00Pm

Menu Path: /Schedules > Day/Night Sch #1 > Night Time
/Schedules > Day/Night Sch #2 > Night Time

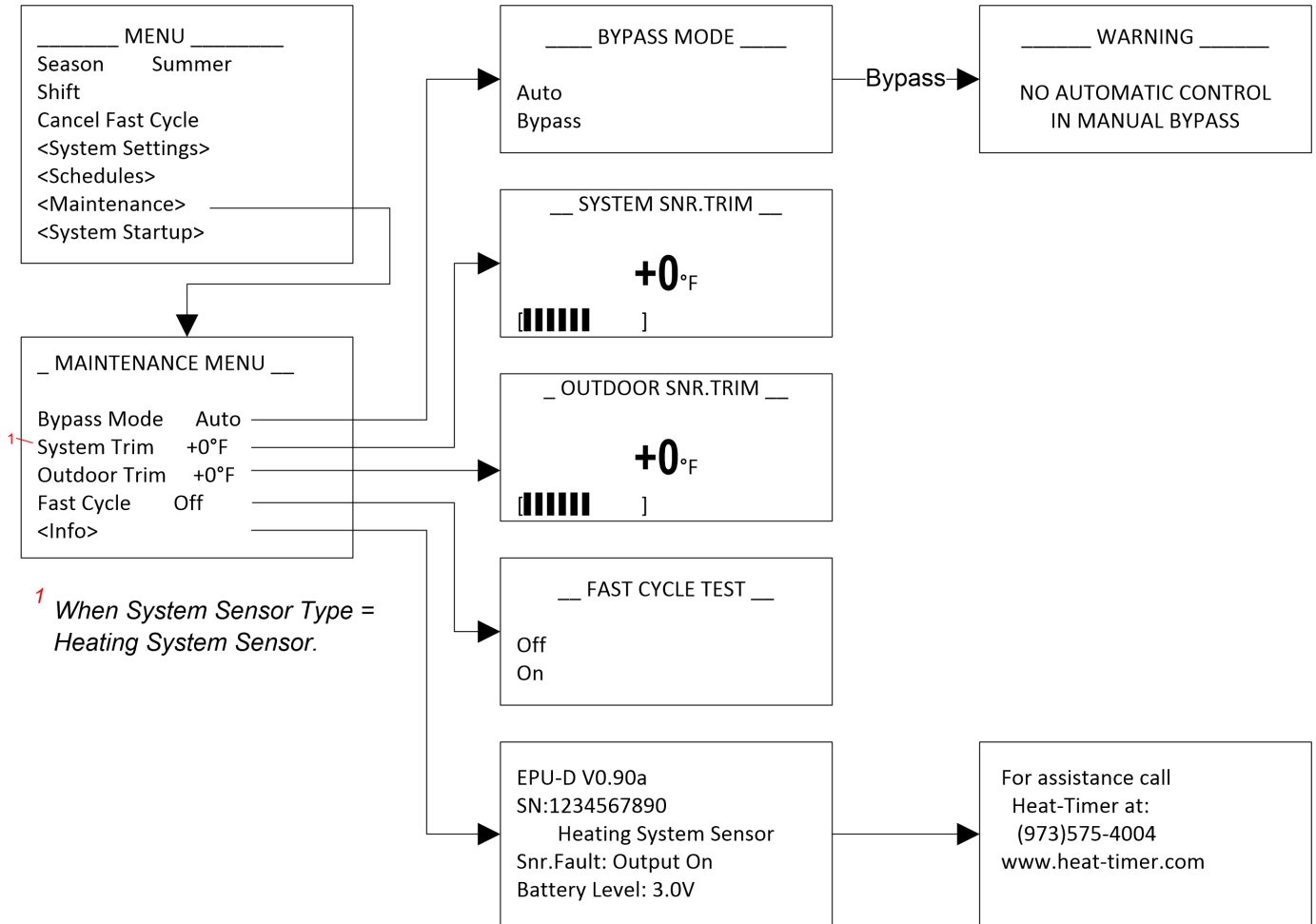
Description:

Sets the start time for the selected Night Time schedule. To clear the current setting, press the Prev (Del) button on the EPU-D display. The cleared setting displays as ** : **.



Maintenance Menu

The Maintenance menu is used to perform maintenance activities on the system. It should only be used by system installers.



Bypass Mode

Selections: Auto, Bypass

Default: Auto

Menu Path: /Maintenance > Bypass Mode

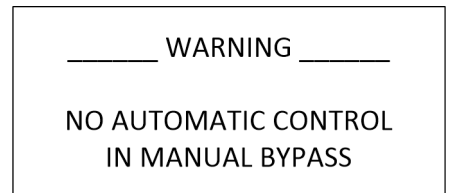
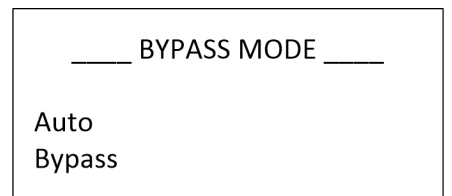
Description:

This option overrides the automatic operation of the heating system.

When *Bypass* is selected, the EPU-D output relays are activated. The boiler burner is turned on and the boiler will run constantly on its own limits, or the motorized valve is fully opened.

NOTE: When *Bypass* is selected, a warning screen displays.

When *Auto* is selected, the EPU-D controls the heating system automatically according to its programming.



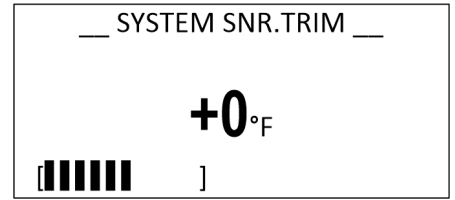
System Trim

Selections: -5°F/-20°C to 5°F/-15°C

Default: 0°F/-18°C

Menu Path: /Maintenance > System Trim

Available When: System Sensor Type = Heating System Sensor



Description:

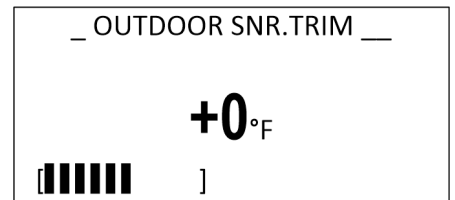
This option allows fine adjustments to be made to the displayed value of the heating system sensor temperature reading.

Outdoor Trim

Selections: -5°F/-20°C to 5°F/-15°C

Default: 0°F/-18°C

Menu Path: /Maintenance > Outdoor Trim



Description:

This option allows fine adjustments to be made to the displayed value of the outdoor sensor temperature reading.

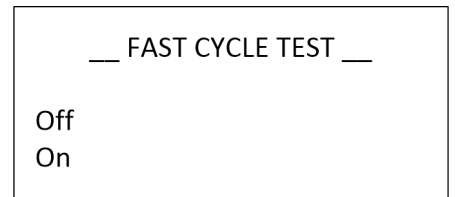
NOTE: Only trim the outdoor sensor based on an accurate thermometer reading taken where the sensor is located.

Fast Cycle Test

Selections: Off, On

Default: Off

Menu Path: /Maintenance > Fast Cycle



Description:

This option allows for testing the boiler burner or motorized valve. If Thermal Lockout is not active, the control will turn on the boiler burner or open the motorized valve.

NOTE: Fast Cycle will only function when the EPU-D is in a cycle. It will not override the Heat Established function or prevent Thermal Lockout.

When On is selected, the control changes cycle minutes to cycle seconds, allowing a 60 minute cycle to be viewed in 60 seconds.

NOTE: Be sure to turn off the Fast Cycle either using the Fast Cycle Test menu, or Cancel Fast Cycle menu (see page 28).

Info

Selections: None

Menu Path: /Maintenance > Info

Description:

The Info menu provides access to screens that display the current configuration of the EPU-D. Available information includes: software version, serial number, system sensor type, sensor fault setting, and battery level.

Press the **Next** button to advance to the Heat-Timer contact information screen.

EPU-D V0.90a
SN:1234567890
Heating System Sensor
Snr.Fault: Output On
Battery Level: 3.0V

For assistance call
Heat-Timer at:
(973)575-4004
www.heat-timer.com

Piping Diagrams

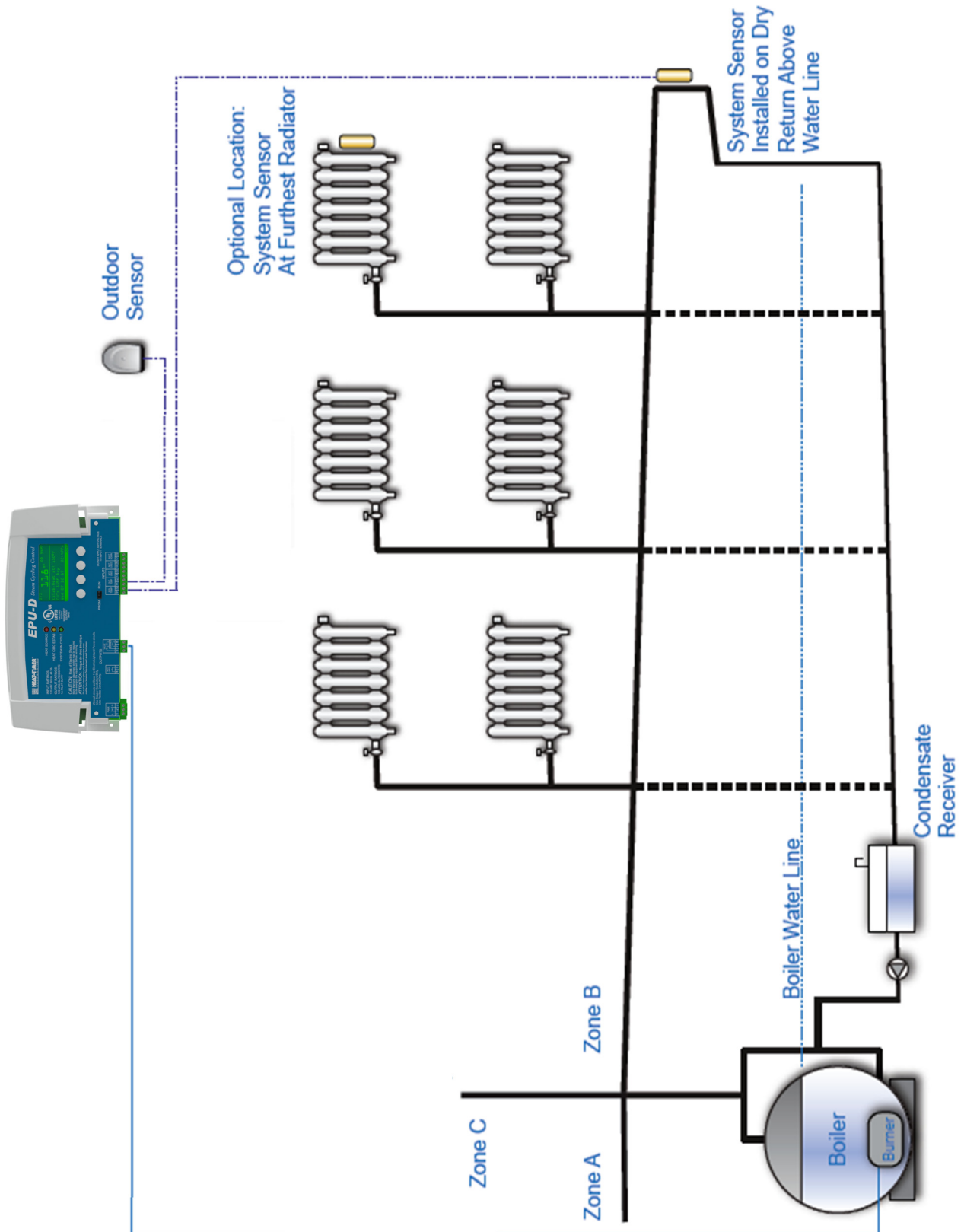


Figure 7: EPU-D Operating a Boiler in a One-Pipe Steam System

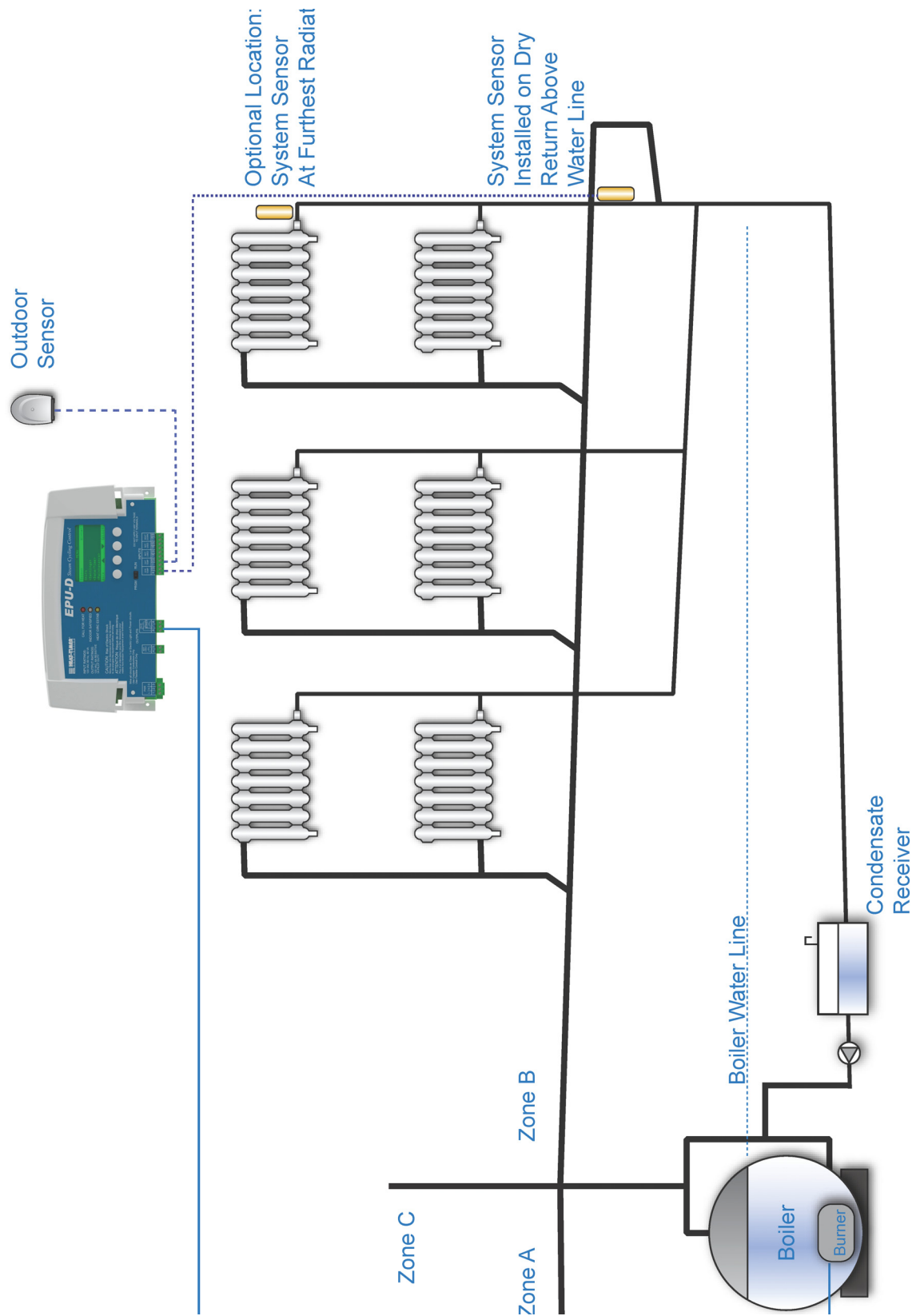


Figure 8: EPU-D Operating a Boiler in a Two-Pipe Steam System

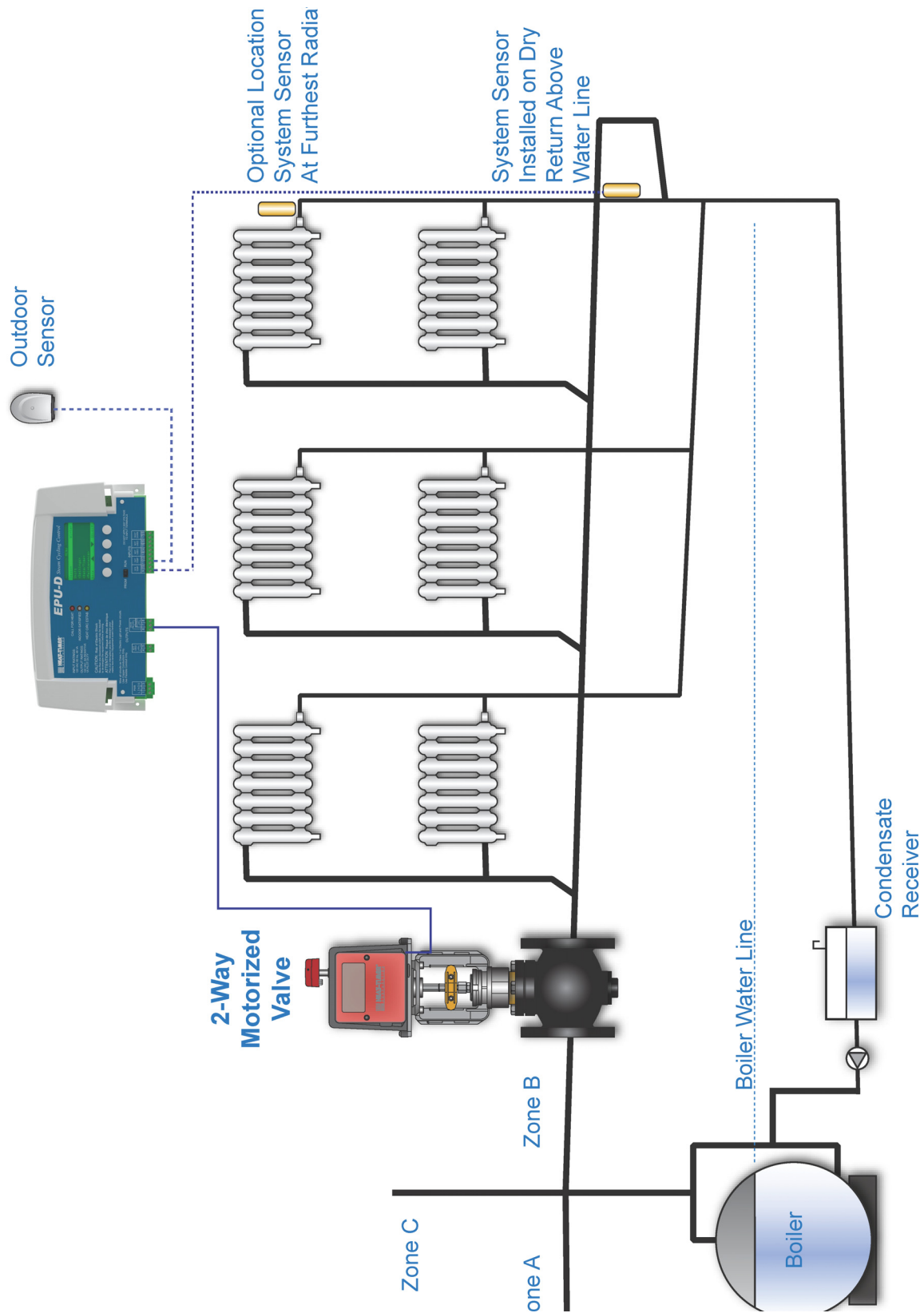


Figure 9: EPU-D Operating a Motorized Valve in a Two-Pipe Steam System

Troubleshooting

Symptom	Possible Cause	Recommended Action(s)
No display or distorted display.	No power to the EPU-D Control Module, incorrect or defective wiring.	<p>Verify the EPU-D Control Module is receiving power, all power wiring is in good condition and connected.</p> <p>The EPU-D Control Module requires 120Vac power to terminal 1 and 2, and earth ground wiring to terminal 3.</p> <p>Turn power to the EPU-D Control Module off then back on.</p> <p>See “Power Input Wiring” on page 16.</p>
Display shows sensor “Open”.	Sensor disconnected.	Verify the sensor is properly connected to the EPU-D Control Module.
	Defective sensor, wires, or EPU-D Control Module.	<p>Disconnect the sensor input wires from the control and use an Ohm meter to measure the resistance between the sensor wires. Refer to Table 2 on page 43.</p> <ul style="list-style-type: none"> If the readings are out of range, the sensor or the wiring may be defective. Replace the sensor/wiring. <p>Connect the sensor wires to the control and disconnect the wires from the sensor terminals. Short the wires together.</p> <ul style="list-style-type: none"> If the display still reads “Open”, the control is defective. Replace the EPU-D Control Module.
Display shows sensor “Short”.	Defective sensor, wires, or EPU-D Control Module.	<p>Remove the wires from the sensor terminals. The display should read “Open”.</p> <ul style="list-style-type: none"> If the display still reads “Short”, the control is defective. Replace the EPU-D Control Module. If the display reads “Open”, the sensor may be defective. Replace the sensor/wiring.
Display shows an incorrect temperature.	Defective EPU-D Control Module, sensor, or wiring.	<p>Remove the wires from the sensor terminals. The display should read “Open”.</p> <ul style="list-style-type: none"> If the display does not read “Open”, the control is defective. Replace the EPU-D Control Module. <p>Use an Ohm meter to measure the resistance between the sensor wires. Refer to Table 2 on page 43.</p> <ul style="list-style-type: none"> If the readings are out of range, the sensor or the wiring may be defective. Replace the sensor/wiring.

Symptom	Possible Cause	Recommended Action(s)
Too much heat.	Incorrect programming.	Verify the following settings: <ul style="list-style-type: none"> • Ensure the control is not in Bypass mode. See “Bypass Mode” on page 35. • Ensure the Day and/or Night Heat Adjustment is not set too high. See “Day Adjustment” on page 30 and “Night Adjustment” on page 30. • If excess heat is only in the morning, ensure the Boost Adjustment is not set too high. See “Boost Adjustment” on page 32. • Ensure the Outdoor Cutoff is not set too high. See “Day Cutoff” on page 30 and “Night Cutoff” on page 31. • Ensure the system Setpoint is set correctly. See “System Setpoint” on page 31. • Ensure Thermal Lockout is not disabled. See “Thermal Lockout” on page 32.
Too little heat.	Incorrect programming.	Verify the following settings: <ul style="list-style-type: none"> • Ensure the Day/Night Schedules are set correctly. See “Day/Night Sch #1 and Day/Night Sch #2” on page 34. • Ensure the Day and/or Night Heat Adjustment is not set too low. See “Day Adjustment” on page 30 and “Night Adjustment” on page 30. • Ensure the Outdoor Cutoff is not set too low. See “Day Cutoff” on page 30 and “Night Cutoff” on page 31. • Ensure the system Setpoint is set correctly. See “System Setpoint” on page 31.
No heat.	Incorrect programming.	Verify the following settings: <ul style="list-style-type: none"> • Ensure Season is not set to Summer. See “Season” on page 26. • Ensure the Outdoor Cutoff is not set too low. See “Day Cutoff” on page 30 and “Night Cutoff” on page 31. • Ensure the control Shutdown input is not active. The display will show “Shutdown Active”.
	Defective EPU-D Control Module, sensor, or wiring.	See “Display shows an incorrect temperature.”

Table 2: Temperature Sensor Chart

Temperature		Value (Ohms)
°F	°C	
OPEN		150000
-30	-34	117720
-20	-29	82823
-10	-23	59076
0	-18	42683
10	-12	31215
20	-7	23089
25	-4	19939
30	-1	17264
35	2	14985
40	4	13040
45	7	11374
50	10	9944
55	13	8714
60	16	7653
70	21	5941
80	27	4649
90	32	3667
100	38	2914
110	43	2332
120	49	1879
130	54	1524
140	60	1243
150	66	1021
160	71	842
170	77	699
180	82	583
190	88	489
200	93	412
210	99	349
220	104	297
230	110	253
240	116	217
250	121	187
SHORT		100

WARRANTY

WARRANTIES AND LIMITATIONS OF LIABILITY AND DAMAGE: Heat-Timer Corporation warrants that it will replace, or at its option, repair any Heat-Timer Corporation manufactured product or part thereof which is found to be defective in material workmanship within one year from the date of installation only if the warranty registration has been completed online within 30 days of the date of installation. Damages to the product or part thereof due to misuse, abuse, improper installation by others or caused by power failure, power surges, fire, flood or lightning are not covered by this warranty. Any service, repairs, modifications or alterations to the product not expressly authorized by Heat-Timer Corporation will invalidate the warranty. Batteries are not included in this warranty. This warranty applies only to the original user and is not assignable or transferable. Heat-Timer Corporation shall not be responsible for any maladjustments of any control installed by Heat-Timer Corporation. It is the user's responsibility to adjust the settings of the control to provide the proper amount of heat or cooling required in the premises and for proper operation of the heating or cooling system. Heat-Timer Corporation shall not be required to make any changes to any building systems, including but not limited to the heating system, boilers or electrical power system, that is required for proper operation of any controls or other equipment installed by Heat-Timer Corporation or any contractor. Third Party products and services are not covered by this Heat-Timer Corporation warranty and Heat-Timer Corporation makes no representations or warranties on behalf of such third parties. Any warranty on such products or services is from the supplier, manufacturer, or licensor of the product or service.

THE FOREGOING IS IN LIEU OF ALL OTHER WARRANTIES, EXPRESS OR IMPLIED AND HEAT-TIMER CORPORATION SPECIFICALLY DISCLAIMS ANY AND ALL WARRANTIES OF MERCHANTABILITY FOR A PARTICULAR PURPOSE. UNDER NO CIRCUMSTANCES SHALL HEAT-TIMER CORPORATION, ITS AUTHORIZED REPRESENTATIVES, AFFILIATED OR SUBSIDIARY COMPANIES BE LIABLE FOR SPECIAL, CONSEQUENTIAL, PUNITIVE, INDIRECT OR INCIDENTAL DAMAGES, EXCEPT AS SPECIFICALLY STATED IN THESE TERMS AND CONDITIONS OF SALE. THE SOLE REMEDY WITH RESPECT TO ANY PRODUCT OR PART SOLD OR INSTALLED BY HEAT-TIMER CORPORATION SHALL BE LIMITED TO THE RIGHT TO REPLACEMENT OR REPAIR F.O.B. FAIRFIELD, NJ. HEAT-TIMER CORPORATION SHALL NOT BE LIABLE OR RESPONSIBLE FOR LOSS OR DAMAGE OF ANY KIND RESULTING FROM DELAY OR INABILITY TO DELIVER FOR ANY REASON, INCLUDING BUT NOT LIMITED TO FIRE, FLOOD, LIGHTNING, POWER FAILURE OR SURGES, UNAVAILABILITY OF PARTS, STRIKES OR LABOR DISPUTES, ACCIDENTS AND ACTS OF CIVIL OR MILITARY AUTHORITIES. HEAT-TIMER CORPORATION MAKES NO REPRESENTATIONS OR WARRANTIES THAT THE PRODUCTS ARE FREE OF RIGHTFUL CLAIMS OF ANY THIRD PARTY FOR INFRINGEMENT OF PROPRIETARY RIGHTS. HEAT-TIMER CORPORATION'S AGGREGATE LIABILITY UNDER THESE TERMS AND CONDITIONS OF SALE SHALL IN NO EVENT EXCEED THE PURCHASE PRICE OF THE PRODUCT.

ICMS Internet Access Service and ICMS Data Service are not provided as part of the sale of any RINet control unless specifically included on the invoice. These services must be purchased separately. The Internet Access provider may retain ownership of any modems provided as part of Internet Access Service. Such modems shall be returned to the Internet provider at the time of termination of such Internet Access Service, otherwise the Purchaser may be charged for the price of such modem.

Rev. 100114

