



EVOL shown with
Macon NT series valve
(sold separately)

NON-ELECTRIC
OPERATORS

Operation

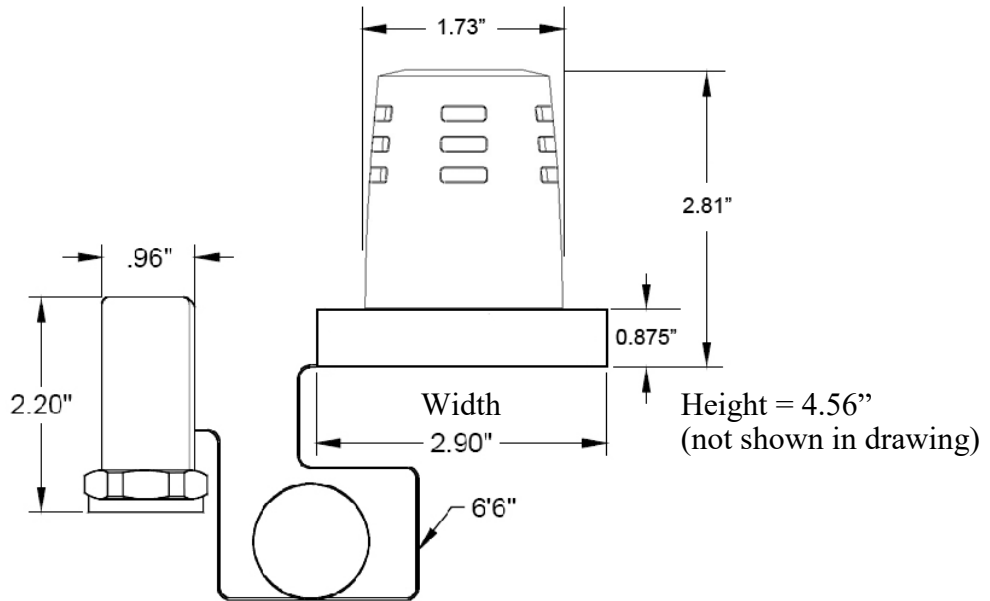
The sensor is wax-filled and the wax volume varies according to ambient temperature. The volume changes are transmitted to the valve stem via a liquid capillary system. The valve body has a return spring which closes the valve when the stem is under low pressure. When the force from the sensor and the return spring are balanced to the room temperature selected, the valve disc stops in that position to allow a certain amount of water or steam to flow through the valve. Temperature changes cause the valve disc to change position and thereby continuously modulate the flow so that the room temperature is maintained at the desired temperature. The unit is secured against damage from over pressure by a pressure absorbing spring.

Features

- Combined remote dial/sensor
- Brass sensor, High sensitivity
- Fiberglass valve plug shaft
- Stainless steel capillary tube, 6'6" std. length
- Longer capillary available, consult factory
- Fits all Macon NT series valves
- Replaces the valve-mounted sensors on built-in convectors, etc., and where the valve-mounted sensor is exposed to draft from windows or doors
- Fully automatic - nonelectric, no wiring
- Small dimensions
- Manufactured to exacting standards using exceptionally high quality materials
- Each sensor is tested and re-checked to achieve exact settings before leaving the factory
- Note that all changing of the actuator can be accomplished without draining the system
- All Macon thermostats can be locked at or limited to a specific temperature or temperature range
- Simple one-trade installation
- Sensor guard furnished at no extra charge
- All Macon valves and thermostats conform to ASHRAE Standard 102P-1983 and European Standard EN 215/1215. We are also ISO 9001 certified (1994) and ISO 14001 certified (1998).

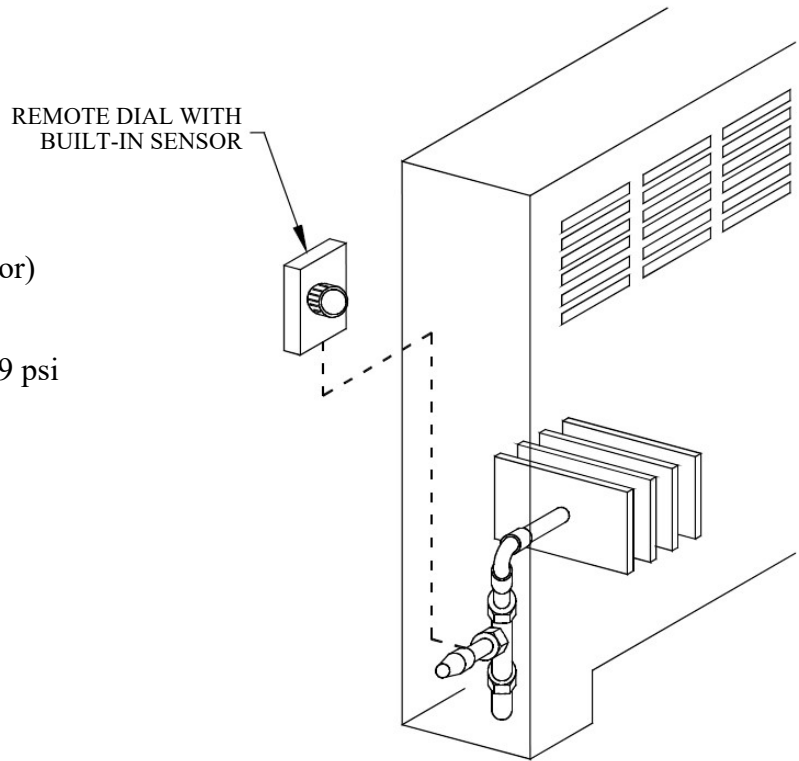


NON-ELECTRIC OPERATORS



DATA

- Temp. Range: 50° - 80°F
- Hysteresis: 0.9°F
- Heat Transfer: 1.1°F (Valve Housing Sensor)
- Dead Time: 0.8 Minutes
- Max. Differential Pressure: 20 psi
- Suggested Differential Pressure = 0.5 to 2.9 psi
- Max. Water Temp.: 250°F
- Max. Storage & Ambient Temp.: 122°F
- Max. Steam Pressure: 15 psig
- Max. Movement: 0.125
- Nominal Opening: 0.018 (3.6°F)
- Long Term Test: 5000 cycles (1.3°F)
- Weight: 0.62 lbs



DIAL SETTINGS

0	*	1	3	5	6	7	8
Off	52	59	64	68	72	75	79
	Frost Protection						

