



FIGURE 15LC SAFETY VALVE

### APPLICATION DATA

- Bulk Hauling Railroad and Truck Tank Cars
- High Volume Blowers
- Compressors
- Dryers
- Pneumatic Equipment
- Tanks

### VALVE RATINGS

Model	Pressure PSIG (bar)	Temperature °F (°C)
All	5 to 15 (.3 to 1)	-20 to 400 (-29 to 204)

### APPLICABLE CODES

- Canadian Registration #OG0591.9C — 015C, 015LC  
#OH0591.9C — 015A, 015LA

# FIGURE 15 SERIES

SIZES 3/4" – 3"

PRESSURES to 15 PSIG at 400°F

- Air & Non-hazardous Service
- Low Cost
- High Capacity
- Cast Iron or Aluminum Body
- Dependable
- Tight Shutoff
- Sharp Popping & Closing Action
- High Degree of Repeatability
- Unitized Body

### OPTIONS

- Stainless Trim
- Set Pressures 15 to 60 psi (Consult Factory)
- Polyurethane Soft Seat Available (Consult Factory)

### MODELS

- 015C - Cast Iron Body, Bronze Seats, Pull Ring
- 015A - Cast Iron Body, Bronze Seats, Sealed Cap
- 15LC - Aluminum Body on 015C (2 x 2½ only)
- 15LA - Aluminum Body on 015A (2 x 2½ only)

### CODE SELECTION CHART

Model				Orifice	Inlet Size	Connec- tions	Set Pressure			
0	1	5	C	Z	K	A	-	0	1	5
1	2	3	4	5	6	7	8	9	10	

#### Model -

Position 1, 2, 3 &amp; 4

015C = Cast Iron Body, Brz Seats, Pull Ring

015A = Cast Iron Body, Brz Seats, Sealed Cap

15LC = Aluminum Body on 015C (2 x 2½ only)

15LA = Aluminum Body on 015A (2 x 2½ only)

#### Orifice -

Position 5

Z

#### Inlet Size -

Position 6

D = ¾

E = 1

F = 1¼

G = 1½

H = 2

J = 2½

K = 3

#### Connections -

Position 7

A = MPT x FPT

#### Set Pressure -

Position 8, 9 &amp; 10

\_\_\_ = Actual Setting

LAS - Loosely Assembled†

† Spence Certified Assemblers Only

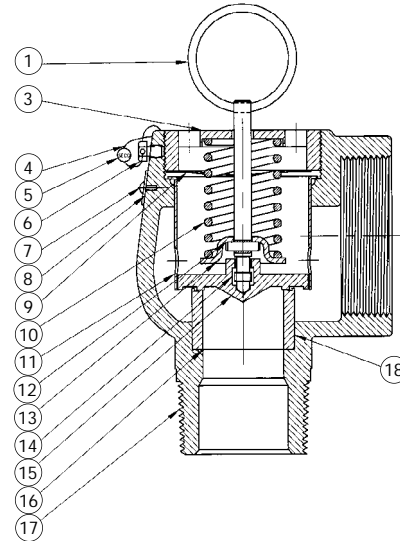
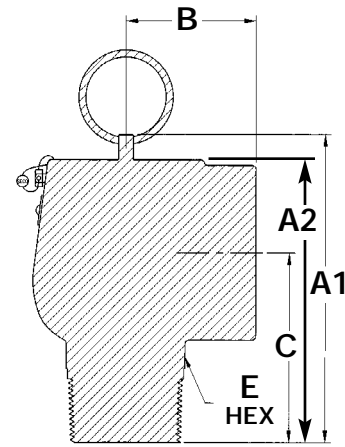
# FIGURE 15 SERIES

## SPECIFICATION

The valve inlet and outlet shall be one integral casting assuring proper alignment of disc, seat and spindle for smooth action. The valve shall maintain a high degree of repeatability. The valve shall be top guided by a disc guide fitted into the body. The valve shall have a non-adjustable blowdown.

## MATERIALS OF CONSTRUCTION

Ref	Part Name	Material
1	Pull Ring	SST
3	Compression Screw	Stl. plated CI ASTM A108/A126
4	Seal Wire	SST
5	Seal	Lead
6	Lock Screw	Brass ASTM B16
7	Drive Screw	SST
8	Nameplate	SST
9	Wave Washer	Plated Steel
10	Spring	Plated Steel
11	Disc Guide	Brass/Bronze ASTM B135/B505
12	Spindle Pin	Plated Steel
13	Spring Washer	Plated Steel
14	Spindle	Steel ASTM A108
15	Disc	Brass/Bronze ASTM B16/B62
16	Seat	Brass/Bronze ASTM B16/B505
17	Body Body	Cast Iron ASTM A126 Aluminum ASTM B26, A03560, T6
18	Sealant	Sealant
19	Bushing 015A/15LA	Brass ASTM B16



## DIMENSIONS inches (mm) AND WEIGHTS pounds (kg)

Model	Inlet	Orifice	Outlet	A1	A2	B	C	E Hex	Weight
****ZDA	3/4 (20)	Z	1 (25)	3 5/16 (76)	3 (76)	1 1/2 (38)	2 3/16 (56)	1 1/4 (32)	1 (.4)
****ZEA	1 (25)	Z	1 1/4 (32)	4 (95)	3 3/4 (95)	2 (51)	2 5/8 (67)	1 1/2 (38)	2 (.9)
****ZFA	1 1/4 (32)	Z	1 1/2 (40)	5 (108)	4 1/4 (108)	2 1/8 (54)	3 (76)	1 5/8 (48)	3 (1.4)
****ZGA	1 1/2 (40)	Z	2 (50)	5 1/8 (117)	4 5/8 (117)	2 3/16 (56)	3 3/16 (81)	2 (51)	4 (1.8)
****ZHA	2 (50)	Z	2 1/2 (65)	6 11/16 (156)	6 1/8 (156)	2 7/8 (73)	4 (102)	3 (76)	8 (3.6)
****ZJA	2 1/2 (65)	Z	2 1/2 (65)	8 3/8 (194)	7 7/8 (194)	3 3/8 (95)	4 3/8 (111)	3 1/4 (83)	14 (6.3)
****ZKA	3 (80)	Z	3 (80)	9 1/2 (229)	9 (229)	3 7/8 (98)	5 1/8 (130)	4 (102)	22 (10)

\*\*\*\* Use appropriate Model Number.

# AIR CAPACITY CHART – MODELS 015C, 015A, 15LC, 15LA

\*\*ASME Section VIII "UV" 90% rated at 3 PSI Overpressure SCFM (M<sup>3</sup>/HR)

### SCFM

Set Pressure PSIG	Valve & Orifice Area, in <sup>2</sup>						
	3/4 Z 1	1 Z 1 1/4	1 1/4 Z 1 1/2	1 1/2 Z 2	2 Z 2 1/2	2 1/2 Z 2 1/2	3 Z 3
5*	82	145	226	328	579	906	1311
10*	100	177	276	400	706	1105	1599
15	118	209	326	472	834	1305	1888

### M<sup>3</sup>/HR

Set Pressure Barg	Valve & Orifice Area cm <sup>2</sup>						
	20 Z 25	25 Z 32	32 Z 40	40 Z 50	50 Z 65	65 Z 65	80 Z 80
0.4*	144	255	398	576	1018	1593	2305
0.7*	171	302	472	683	1207	1888	2732
1.0*	197	350	545	790	1395	2183	3159

\* Pressure settings below 15 PSIG (1.034 barg) are non code.

\*\*Only 2" size is ASME Certified.

Consult factory for capacities below 5 psi or between 15 to 60 psi.