

Pneumatic Pressure Controller

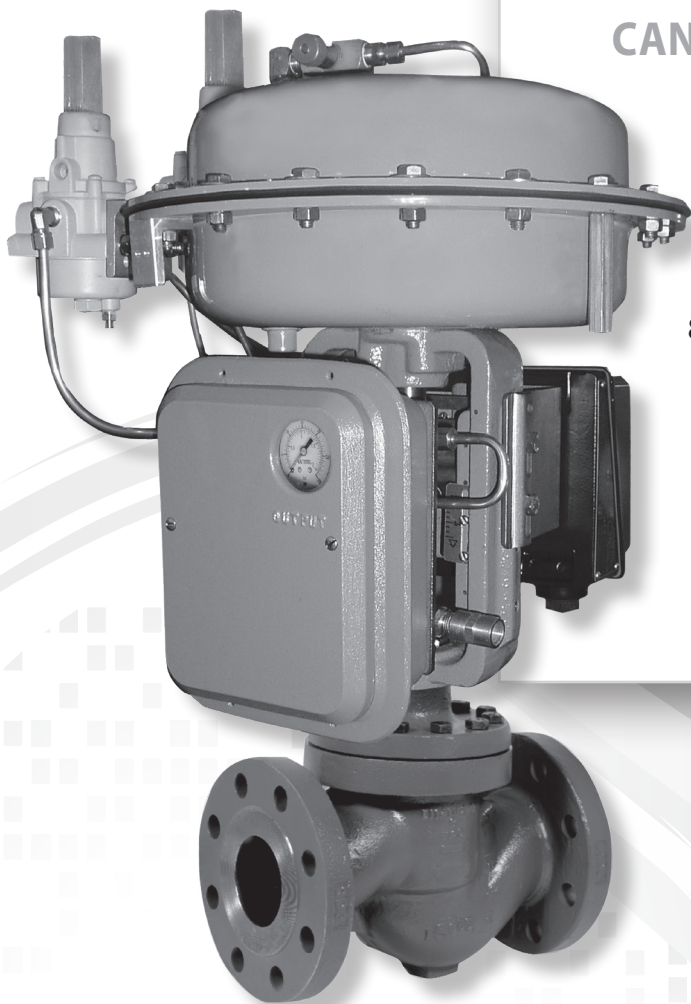
MODEL 8351

Merlin

CAN HAVE ANY FAILURE MODE!

Use any Warren Controls Industrial Globe Control Valve that uses either an 84" or 115" diaphragm actuator . Several Pressure ranges are available from a MIN. set pressure of 15 PSI to a MAX set pressure of 300 PSI.

Merlin_PS_RevCa_0621



MERLIN PRODUCT SPEC

WARREN CONTROLS

2600 EMRICK BLVD • BETHLEHEM, PA 18020 • USA • 800-922-0085 • WWW.WARRENCONTROLS.COM
DEPENDABLE, RUGGED, PRECISION CONTROL VALVES AND ACCESSORIES

MODEL 8351

NON- INDICATING

Pneumatic Pressure Controller



Model 8351
(External Adjustment)



Model 8351 Type 2
(Internal Adjustment)

SPECIFICATIONS

Model 8351

Capsule:	Phosphor bronze or NI-SPAN (factory selected).
Case:	Cast aluminum.
Mounting:	Flush (panel) mounting, back connected.
Control Action:	Direct Acting or Reverse Acting.
Control Output:	3-15 PSI
Range:	Any standard range listed. Range may be changed in the field by changing capsule.
Air Supply:	18 PSI (25 PSI Max)

Model 8351, Type 2

Same as Model 8351, except that it has an internal control point setting.

GENERAL DESCRIPTION

These air operated pressure controllers provide the simplest and most rugged type of automatic control available to meet the needs of a large number of industrial applications.

These controllers have a fixed throttling range of approximately 5%. The air relay within this controller is a simple, trouble free ball valve type, which is operated by a lever positioned directly by the expansion or contraction of the sensing element in the system. Capsules are used as the sensing element in these pressure instruments.

PASSED MIL-S-901 SHOCK AND MIL-STD-167 VIBRATION TESTING.

CONTROL ACTION

The type of control action (either direct or reverse acting) is achieved by the type of air valve used in the instrument.

The control action of Model 8351 can be changed in the field by simply changing the air valve.

MERLIN

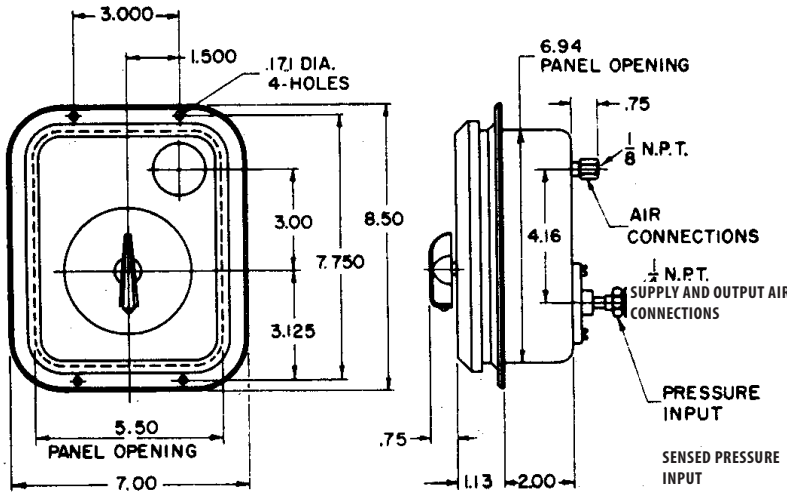
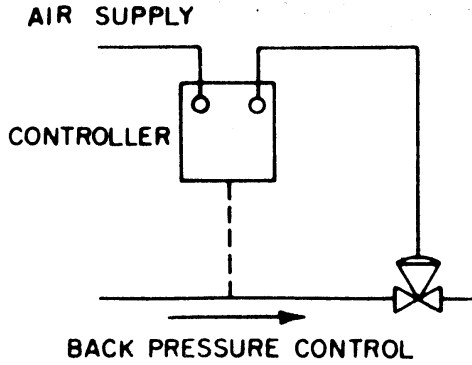
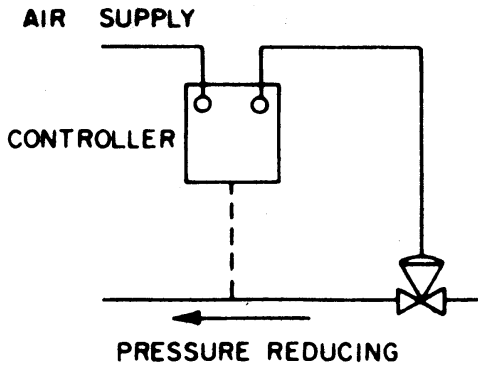
The Next Step in Pneumatic Control



Preassembled
Pressure Regulating
and Back pressure
Sustaining valves
with an Integrated
Pneumatic Pressure
Controller.

The **Merlin** accessory is a preset Price for the mounting, connection and set up of the **Model 8351** controller to a Warren Controls Industrial Globe Control Valve. The price includes a factory mounted Air Filter Regulator, which insures that the controller will receive clean air at the correct pressure.

TYPICAL NON-INDICATING PRESSURE CONTROLLER INSTALLATIONS



(All dimensions are approximate)

CONTROL ACTION OPTIONS

Pressure Reducing

1. Direct acting 8351 with direct acting actuator (Valve fails open)
2. Reverse acting with reverse acting actuator (Valve fails closed)

Back Pressure Control

1. Direct acting 8351 with reverse acting actuator (Valve fails closed)
2. Reverse acting with direct acting actuator (Valve fails open)

Positioners are recommended with all MERLIN configurations for faster response and increased shut off capability. A positioner is required when the selected valve requires a DL 115 actuator.

THE POSITIONER MUST BE ORDERED SEPARATELY AND INCLUDE A DEDICATED AIR FILTER REGULATOR.

The Merlin is not available for DL 49 actuators.

ORDER CODE

SELECTIONS: Please make a selection from each table of OPTIONS below to make a complete model number string.

8351

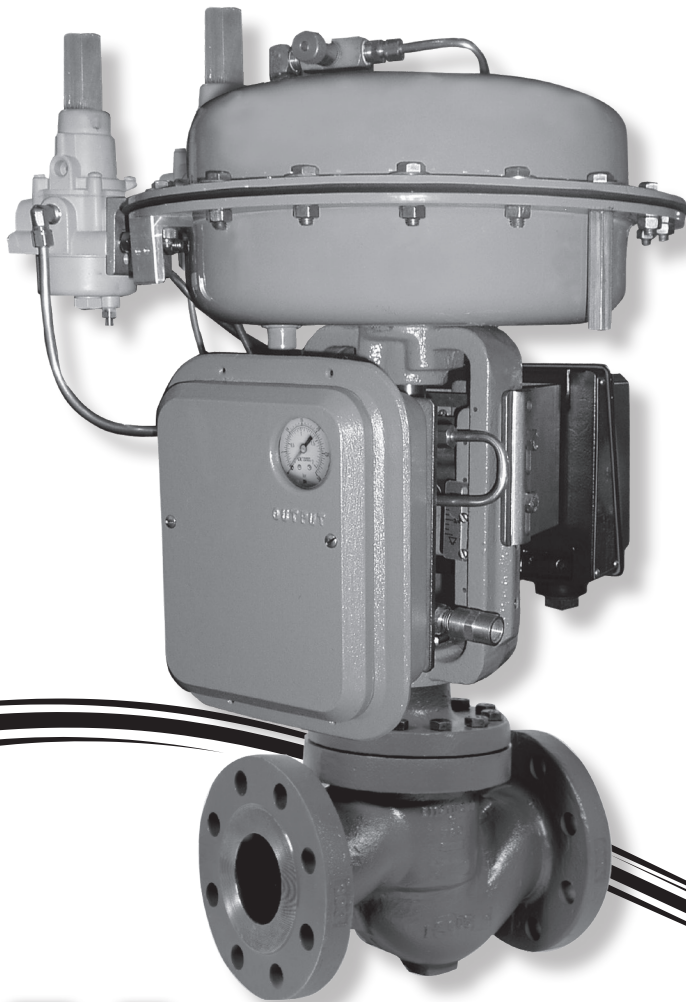
	Set Point Adjustment	Control Action	Capsule Material	Range (PSI)	Mounting
8351 Non Indicating Pressure Controller with Visible Single Gage No Lock Supply: 20 PSIG Output: 3-15 PSIG	1 8351 Type 1 External Adj.	D Direct Acting	Factory Selected	015 0.5-15 PSI	0 Panel/Flush Mount
		R Reverse Acting		030 2-30 PSI	A Merlin for DL84 NOTE: with 760, BLX, or without Positioner Requires P/N 8351MK84760BLX00 with TZIDC Positioner Requires P/N 8351MK84T-ZIDC00
	2 8351 Type 2 Internal	050 5-50 PSI		B Merlin for DL115 Direct Acting NOTE: with 760, BLX, or without Positioner Requires P/N 8351MK115D760BLX00 with TZIDC Positioner Requires P/N 8351MK115DTZIDC00	
		100 10-100 PSI			
		150 15-150 PSI			
		200 25-200 PSI			
300 30-300 PSI	C Merlin for DL115 Reverse Acting NOTE: with 760, BLX, or without Positioner Requires P/N 8351MK115R760BLX00 with TZIDC Positioner Requires P/N 8351MK115RTZIDC00				
400 50-400 PSI					
500 50-500 PSI					

(1) The "MERLIN" is the 8351 Pressure Controller mounted to a DL84 or DL115 actuator with its own air filter regulator, inclusive.

(2) The "MERLIN" assembly can be sold with or without a positioner. The positioner will need its own AFR (Air Filter Regulator).



MERLIN PRODUCT SPEC



WARREN CONTROLS

2600 EMRICK BLVD • BETHLEHEM, PA 18020 • USA • 800-922-0085 • WWW.WARRENCONTROLS.COM
DEPENDABLE, RUGGED, PRECISION CONTROL VALVES AND ACCESSORIES