

Stand-Alone Pumps

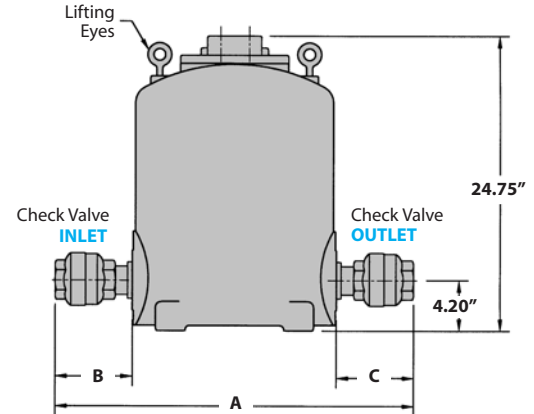
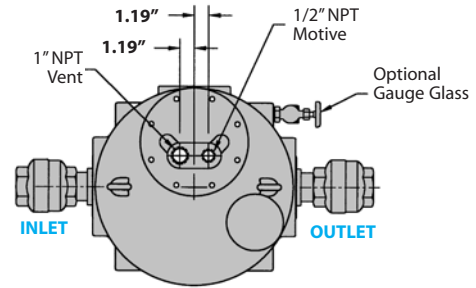
CAST DUCTILE IRON TANK

PMPC
Pressure Motive Pump

Condensate
Pumps



Model	PMPC
Body	Ductile Iron
Cover	Ductile Iron
Check Valves	Stainless Steel
PMO Max. Operating Pressure	200 PSIG
TMO Max. Operating Temperature	388°F
PMA Max. Allowable Pressure	200 PSIG @ 650°F
TMA Max. Allowable Temperature	650°F @ 200 PSIG



Typical Applications

The **PMPC model Ductile Iron** non-electric pressure motive pump is typically used when liquids must be moved to higher elevation, higher pressure or extended distances. This stand-alone pump is capable of operating with a maximum motive pressure of 200 PSIG provided by steam, air or other gas supply. **ASME "UM" code stamp is available.**

Features

- Equipped with our **Patented "Snap-Assure" Mechanism** which **extends the useful life of the pump**
- Mechanism incorporates **heat-treated stainless steel wear items**
- All stainless steel internals for ultimate corrosion resistance
- Dual compression springs made from Inconel-X-750 for high-temperature corrosive service
- Operates using steam, air, nitrogen or other pressurized gases as the motive force
- **Non-Electric** – can be used in remote locations or NEMA 4, 7, 9 and hazardous areas

Sample Specification

The non-electric pressure powered pump shall be capable of operating with a maximum motive pressure of 200 PSIG provided by steam, air or other gas supply. The pump body shall be cast ASTM A-395 Ductile Iron capable of an ASME "UM" code stamp if requested. The pump mechanism shall be float operated with a patented "Snap-Assure" feature constructed of all stainless steel materials with all load bearing points hardened for extended service life. The mechanism shall feature two Inconel springs used in compression with motive & vent valves hardened to 40c Rockwell.

DIMENSIONS – inches

Size (Inlet x Outlet)	Model Code	A	B	C	Weight (lbs)
1" x 1"	PMPC-1X1-N-SS	29 ¹ / ₂	6	6	360
1 ¹ / ₂ " x 1"	PMPC-1.5X1-N-SS	30 ³ / ₄	7 ¹ / ₂	6	365
1 ¹ / ₂ " x 1 ¹ / ₂ "	PMPC-1.5X1.5-N-SS	31 ¹ / ₄	7 ¹ / ₂	7 ¹ / ₂	367
2" x 1"	PMPC-2X1-N-SS	31	8	6	370
2" x 1 ¹ / ₂ "	PMPC-2X1.5-N-SS	32 ¹ / ₂	8	7 ¹ / ₂	380
2" x 2"	PMPC-2X2-N-SS	32 ³ / ₄	8	8	385
3" x 2"	PMPC-3X2-N-SS	35 ¹ / ₄	9 ¹ / ₄	8	390

The PMPC Stand Alone Pump consists of pump tank, internal mechanism, and inlet and outlet stainless steel check valves.

MATERIALS

Body & Cover	Ductile Iron
Cover Gasket	Grafoil
Cover Bolts	Steel
Inlet Valve	Hardened Stainless Steel 40 Rc
Vent Valve	Hardened Stainless Steel 40 Rc
Mechanism Yoke	304 Stainless Steel
Ball Float	304 Stainless Steel
Check Valves	Stainless Steel
Springs	Inconel-X-750
Other Internal Components	Stainless Steel

Snap-Assure U.S. Patent No. 6572340