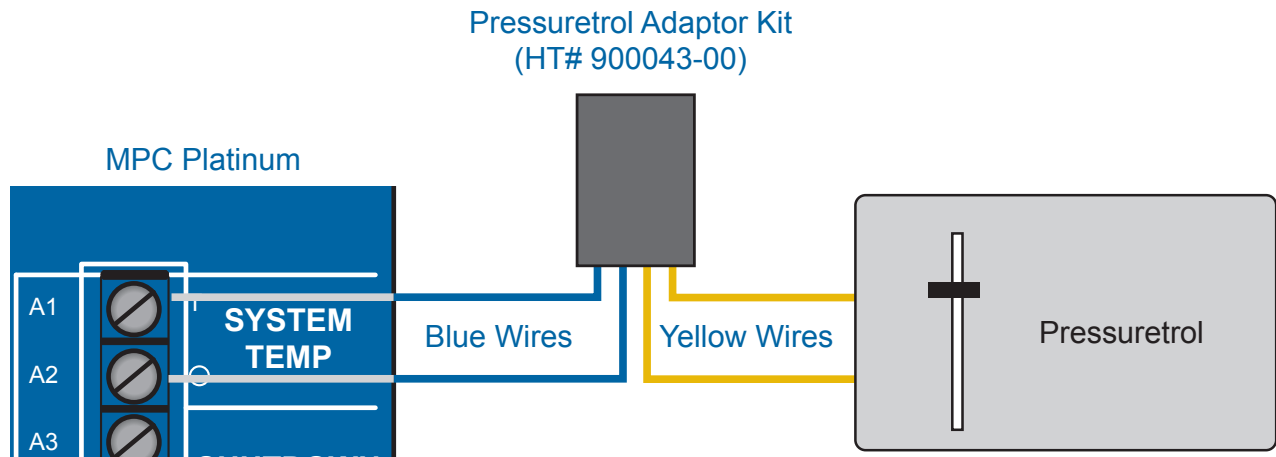


Installation Manual

Used to connect a Pressuretrol to a MPC Platinum

Pressuretrol Adaptor Kit



OVERVIEW

This Pressuretrol Adaptor Kit is used to connect the MPC Platinum to a pressuretrol instead of a System Temperature Sensor.

ALERT

The use of this kit with the MPC Platinum reduces the MPC Platinum operating efficiency. It is critical to use a System Temperature Sensor in all MPC Platinum installations unless the temperature sensor location does not represent the actual system temperature.

WIRING

- Connect the Pressuretrol Adaptor Kit Blue wires to the MPC Platinum System Temp (A1, A2) terminals.
- Connect the kit's Yellow wires to the pressuretrol terminals.
- The MPC Platinum will not start the Cycle-On until the pressuretrol reaches its limit.